

## M673L3 - 6 kW/5 kW

### AC Output<sup>1</sup>

**6 kW** 60 Hz, 1800 RPM, 1 Ph, 1.0 PF,  
120-240 V/25 A, 120 V/50A

**5 kW** 50 Hz, 1500 RPM, 1 Ph, 1.0 PF,  
220 V/22.7 A

Voltage regulation ±5%

### Lugger L673L Engine

Type Vertical inline 3 cylinder diesel

Displacement 46.4 in<sup>3</sup> (0.761 ltr)

Bore/Stroke 2.64/2.83 in (67/72 mm)

HP @ RPM 10.1/1800 8.4/1500

Approx. fuel use  
1800 RPM @ full load<sup>2</sup> 0.59 gph (2.2 lph)

1800 RPM @ half load<sup>2</sup> 0.32 gph (1.2 lph)

1500 RPM @ full load<sup>2</sup> 0.50 gph (1.9 lph)

1500 RPM @ half load<sup>2</sup> 0.28 gph (1.1 lph)

### Installation Data & Weight

Wet exhaust elbow 1.5 inch (38 mm) OD

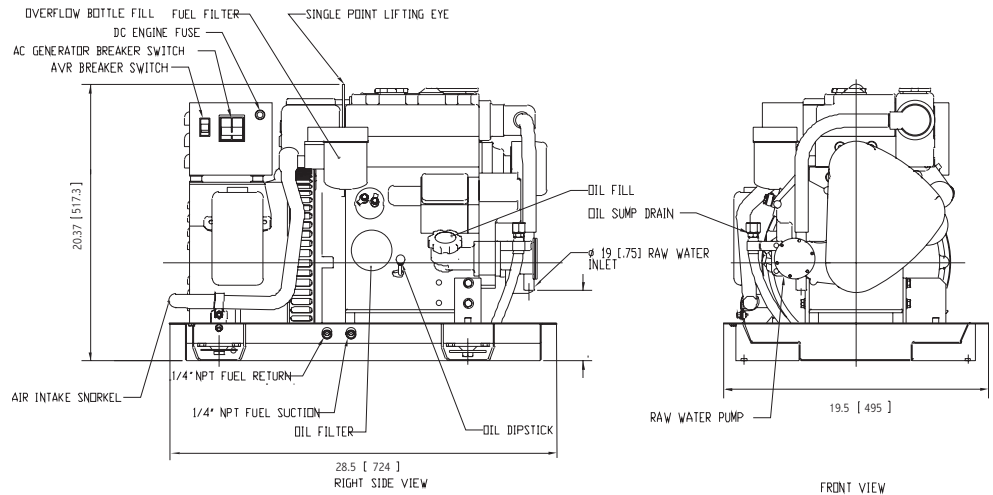
Raw water inlet 3/4 inch (19 mm) OD

Fuel inlet and return 5/16 inch ID Hose

Approximate dry weight 377 lbs (171 kg)

1. Based on SAE J1995 and ISO 3046. 2. Actual fuel consumption will vary depending on operating conditions.

## Dimensional Drawing



**M673L3 Overall Dimensions L x W x H: 28.5 x 19.5 x 20.1 inch (724 x 495 x 510 mm)**  
**Sound Enclosure Dimensions L x W x H: 28.5 x 19.5 x 20.8 inch (724 x 495 x 528 mm)**  
**Sound Enclosure Weight: 44 lbs (20 kg)**

Dimensions given in inches (mm). Dimensions subject to change without notice. Contact dealer or visit [www.northern-lights.com](http://www.northern-lights.com) for most current installation drawings.

## M673L3 Features and Benefits

### Engine Block

- Four cycle, 3 cylinder, liquid cooled, naturally aspirated, overhead valve diesel.
- Swirl combustion chambers improve fuel efficiency and reduce smoke.
- Glow plugs for quick cold starting.

### Cooling System

- Freshwater cooling with siphon break.
- Heat exchanger or keel cooled.
- One-piece heat exchanger, expansion tank and liquid cooled exhaust manifold. Fewer troublesome hoses and gaskets. Cast iron to resist corrosion and electrolysis.
- Heat exchanger cooling is standard. Cupro-nickel, tube-type heat exchanger has removable ends for easy cleaning. Rubber impeller seawater pump of bronze and stainless steel is gear driven; no belt.

### Fuel System

- Fuel system is self-venting.
- Injection pump with 5% mechanical governor for close AC frequency control.
- Pintle injectors with replaceable tips.
- Mechanical lift pump with hand primer. No electric pump to fail.
- Large spin-on fuel filter.
- Steel fuel lines.
- Stop solenoid acts directly on the fuel rack eliminating linkage problems.

### Intake and Exhaust

- Meets US EPA Tier III emission standards.
- Washable air cleaner.
- Cast aluminum intake manifold with Sound Maze air intake reduces intake noise.
- Cast iron, wet exhaust elbow for safety.

### Lubrication System

- Full flow, spin-on oil filter with bypass.
- 3.1 qt (3 ltr) oil capacity for better lubrication and 200 hour oil change intervals.
- Oil drain for quick, clean oil changes.
- Closed crankcase vent system traps oil vapor and keeps engine room clean.

### DC Electrical System

- DC system uses reliable relays instead of an unrepairable printed circuit board.
- 12 volt starter motor and battery charging alternator with regulator and belt guard.
- Standard panel: Remote mount S-1B has hour meter, stop-start switch with run light and preheat switch.
- Expandable to six panels up to 110 feet from the set.
- 20 foot (6m) plug-in panel harness lets you mount your panel anywhere onboard. Better than inaccessible unit mount panels that are prone to vibration problems.
- Low oil pressure, high coolant temp and high exhaust temp safety shutdowns standard.

### AC Generator

- Northern Lights, direct coupled, four pole, revolving field, four lead reconnectable generator with Class "H" insulation and prelubricated bearing. Conservative heat rise rating: 95°C/50°C ambient.
- External automatic voltage regulator gives you ±5% voltage regulation. AVR powered by dedicated AC winding for improved motor starting. AVR circuit breaker.
- 30 amp mainline circuit breaker protects generator from AC overloads and shorts.

[www.northern-lights.com](http://www.northern-lights.com)

### Dealer

Northern Lights, Inc. • 4420 14th Ave. NW., • Seattle WA 98107  
 Tel: 206-789-3880 • 1-800-762-0165 • Fax: 206-782-5455  
 Information and dimensions subject to change without notice.  
 Northern Lights and Lugger are registered trademarks of Northern Lights, Inc.  
 © 2012 All rights reserved. Litho USA. S102 5/12