



M.Y. SIRDAR of New Zealand by De Vries-Lentsch.

WESTERBEKE WPDS SERIES

static excited marine diesel 10 · 12.5 · 15 · 20 kw GENERATOR SETS

FEATURES

Static Excited

Greatly improved electronic voltage regulation. No moving parts or multiple contact points. Easy to service, no delicate adjusting necessary.

Precision Governor

Good frequency regulation — electronic devices function better.

Quiet, Smooth-running

Low decible engine-generator assemblies are vibration isolated on flexible rubber mounts.

Instant Starting

High cranking speed makes cold weather starting easy.

Lightweight, Compact

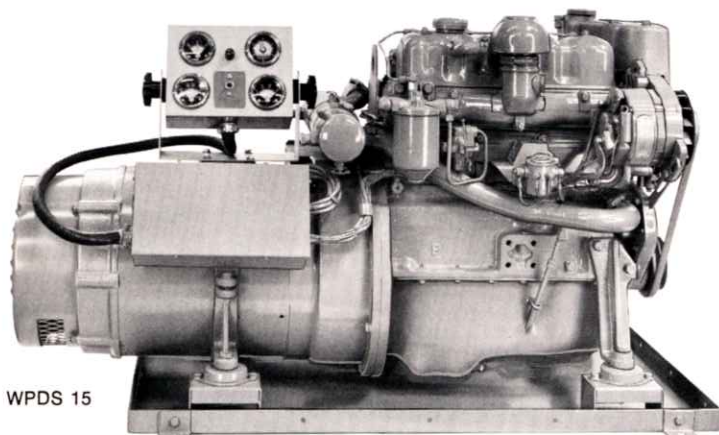
Clever engineering saves inches, yet preserves accessibility.

Dependable Power

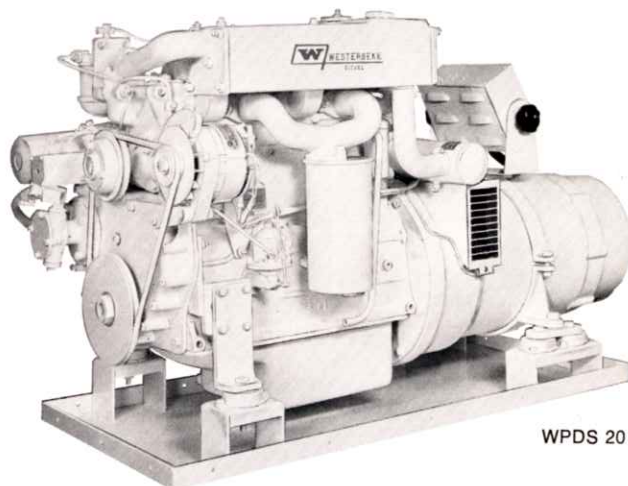
Used on many aids to navigation where lives depend on Westerbeke power.

Static excitation makes use of non-moving electronic circuits to regulate voltage output so that sudden severe load changes neither overpower nor starve sensitive electronic equipment.

Our dependable generator sets have been installed in many of the world's finest yachts, providing shore-power luxury and convenience anywhere on the water. Important reasons for their selection include: light weight, compact size, quick unfailing starts, smooth quiet operation, superior design, quality components, and excellent performance records. These performance records have been helped by the accessibility and ease of servicing the sets. Westerbeke generator sets will add pleasure and dependability to any diesel powered vessel.

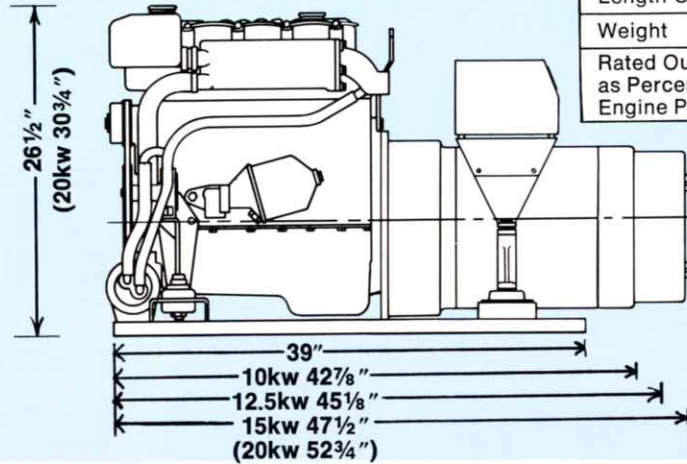
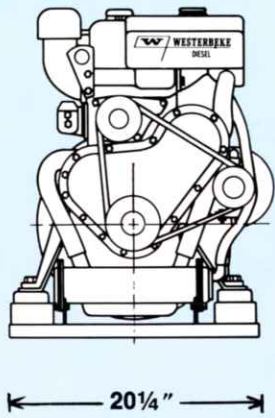


WPDS 15



WPDS 20

**Enjoy the Convenience of Electric Living: Heat and Air Conditioning,
Cooking and Refrigeration, Stereo and Television, Navigation and Communication.**



Rated Output	10kw	12.5kw	15kw	20kw
Length Overall	42 ⁷ / ₈ "	45 ¹ / ₈ "	47 ¹ / ₂ "	52 ³ / ₄ "
Weight	825 lbs.	870 lbs.	915 lbs.	1140 lbs.
Rated Output as Percent of Engine Power	60%	75%	91%	55%

WESTERBEKE WPDS Series 10 · 12.5 · 15 · 20 kw static-excited marine diesel generator sets

ENGINE

- Type:** Diesel, 4 cylinder in line, 4 cycle.
- Displacement:** 108 cu. in. Bore 3.125 in. Stroke 3.5 in. (20kw 154 cu. in. Bore 3.5 in. Stroke 4 in.)
- Compression:** 22:1 (20kw — 19.5:1)
- Power:** 27 hp at 1800 rpm. (20kw — 38 hp at 1800 rpm)
- Starting:** 12 volt positive engaging heavy duty starting motor.
- Fuel System:** Distributor-type fuel pump with a solenoid-operated fuel valve. Fuel lift pump with hand primer, primary and secondary fuel filter.
- Cooling System:** Fresh water, with pumps and heat exchanger. Fresh water-cooled exhaust manifold and surge tank combination.
- Mounting:** Engine-generator assembly rubber-mounted on integral drip pan base to eliminate objectionable vibration.
- Fuel Consumption:** Approximately 0.1 gallon per kilowatt-hour.
- Control:** Complete control panel either engine-mounted or remote.

ALTERNATOR

- Output:** 10, 12.5, 15 or 20kw, as rated, for continuous operation.
- Voltage:** 120/240 static regulated within $\pm 1\%$.
- Frequency:** 60 cycles governed to within $\pm 1\frac{1}{2}$ cycles, no load to full load.
- Phase:** Single.
- Power Factor:** Unity.
- Current Options:** 120 or 120/240 volt. (A simple reconnection makes the change.)
- Accessories:** Accessory D.C. requirements may be supplied either by the generator through rectifying equipment or by 12, 24, or 32 volt alternators in 40, 60, or 100 amp sizes mounted on the engine.
- Mounting:** Bolted directly to back of engine. Entire assembly is rubber mounted.

CONTROLS

- Starter Control:** Relays and resistors for manual start either at the set or at remote control stations.
- Instrumentation:** Water temperature, oil pressure, battery charge ammeter.
- Safety devices:** High temperature shutoff, low oil pressure shutoff.

STANDARD EQUIPMENT

Engine-generator assembly rubber-mounted on drip pan base; raw and fresh water pumps, heat exchanger engine mounted, surge tank included in fresh water cooled exhaust manifold; choice of exhaust connections; lube oil pump, spin-on full flow lube oil filter, sump pump and hose; flexible fuel inlet and return hoses, primary and secondary fuel filters, fuel lift pump, fuel solenoid; precision governor; 12 volt starting motor; completely prewired engine control system including starter, ammeter, temperature and pressure instrumentation and safety shutoffs; static exciter; completely detailed instruction book.

OPTIONAL EQUIPMENT

Remote start station panels; engine-mounted alternators — 12, 24, 32 volts, 40, 60, 100 amps; high efficiency exhaust silencer.

The Westerbeke WPDS Series generator sets give you the most dependable power afloat — power for on shore conveniences as well as offshore essentials. They are lightweight, and, due to close coupling, more compact by quite a few inches than other generators in this range. Their excellent dependability is witnessed by their frequent use to power aids to navigation. They have been used on ocean research vessels where fuel economy and operation under extreme conditions are additional requirements. When the original Byrd Antarctic Base Camp was re-activated several years ago these Westerbeke generator sets were chosen.

In addition to these standard models with their optional variations, we have a complete line of diesel generator sets from 3 to 45kw and can custom build or modify any one of these to suit special requirements.

Westerbeke diesel generators are sold and serviced by Westerbeke distributors in major port cities throughout the United States.



J. H. WESTERBEKE CORP.

AVON INDUSTRIAL PARK, AVON, MASS. 02322 • (617) 588-7700

CABLE: WESTCORP, AVON • TELEX: 92-4444