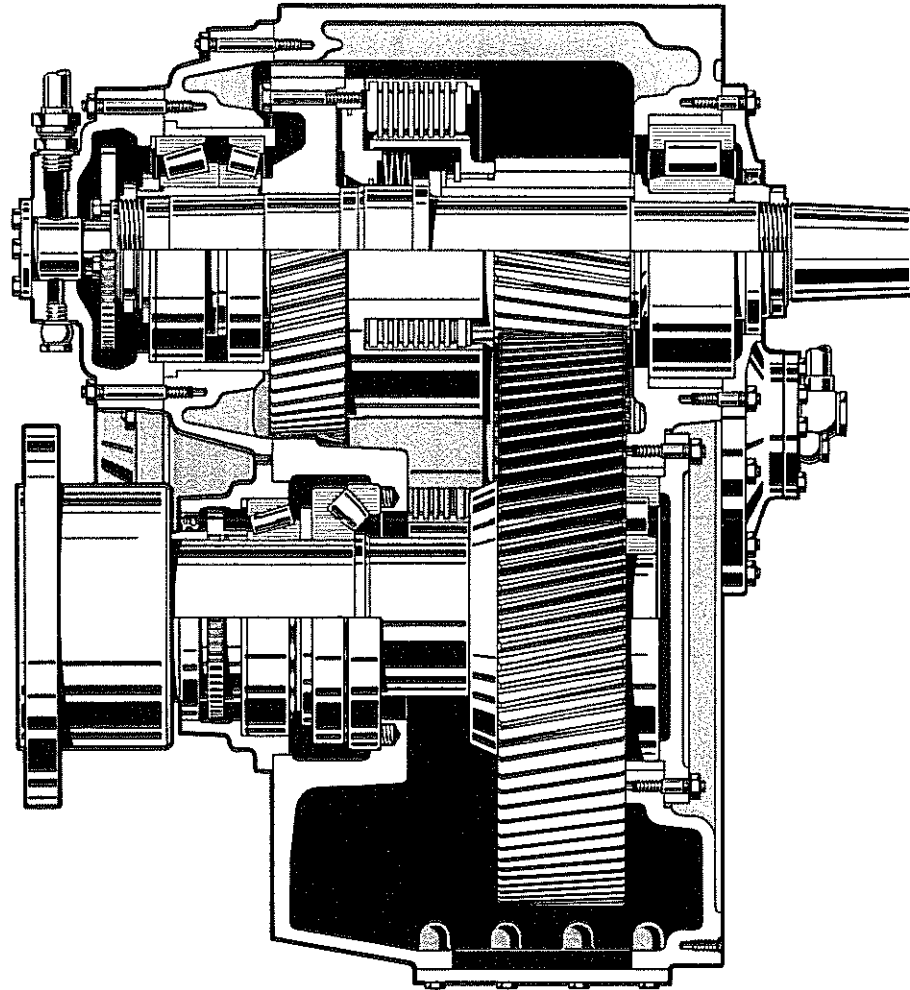


ZF Marine Gears

BW 450, BW 451 and BW 455

*Att
B06*



ZAHNRADFABRIK FRIEDRICHSHAFEN AG

F 43162/RT 3289-881 E

954-447-4141

01:38:19 p.m.

07-10-2014

2/6