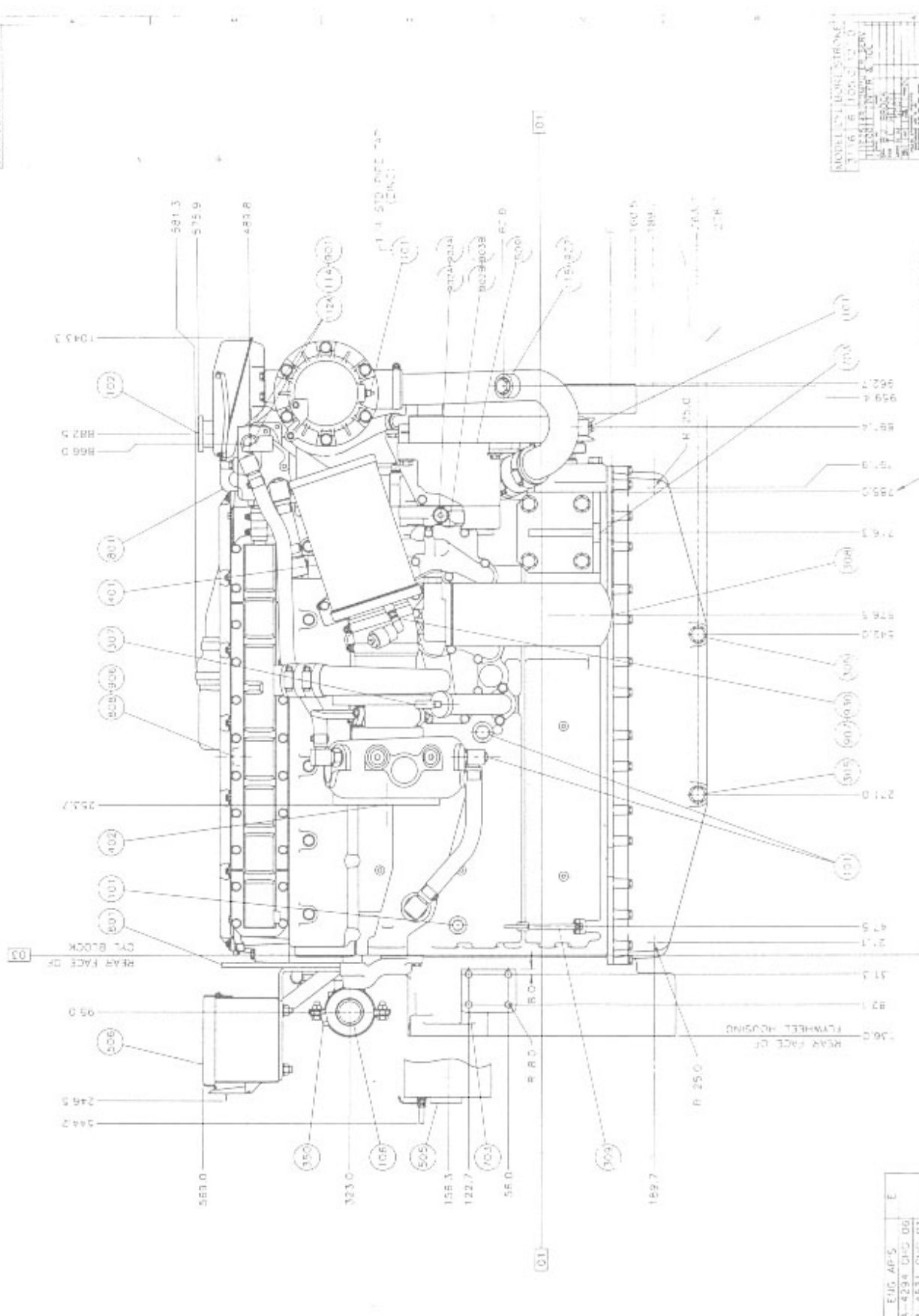


# 3116 DITA

METRIC 9Y-4851



PA 4530 S1 0181  
 OVERALL LENGTH - 1587.5  
 OVERALL WIDTH - 876.0  
 OVERALL HEIGHT - 860.0

ENGIN LACT OF  
 CYL. BLOCK

RIGHT SIDE VIEW

MANUFACTURING INFORMATION

DATE	10-02-75
BY	0105
CHECKED BY	0105
DESIGNED BY	0105
APPROVED BY	0105
DRAWING NO.	3116-DITA-0105
REV.	01
REV. NO.	1
REV. DATE	
REV. BY	

E	
EA-4234	CHG 06
EA-4531	CHG 01
EA-4295	CHG 06
EA-4530	CHG 02
EA-2483	CHG 11
EA-4599	CHG 01
EA-4758	CHG 01

