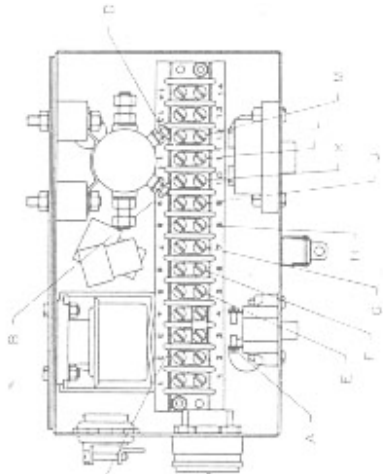
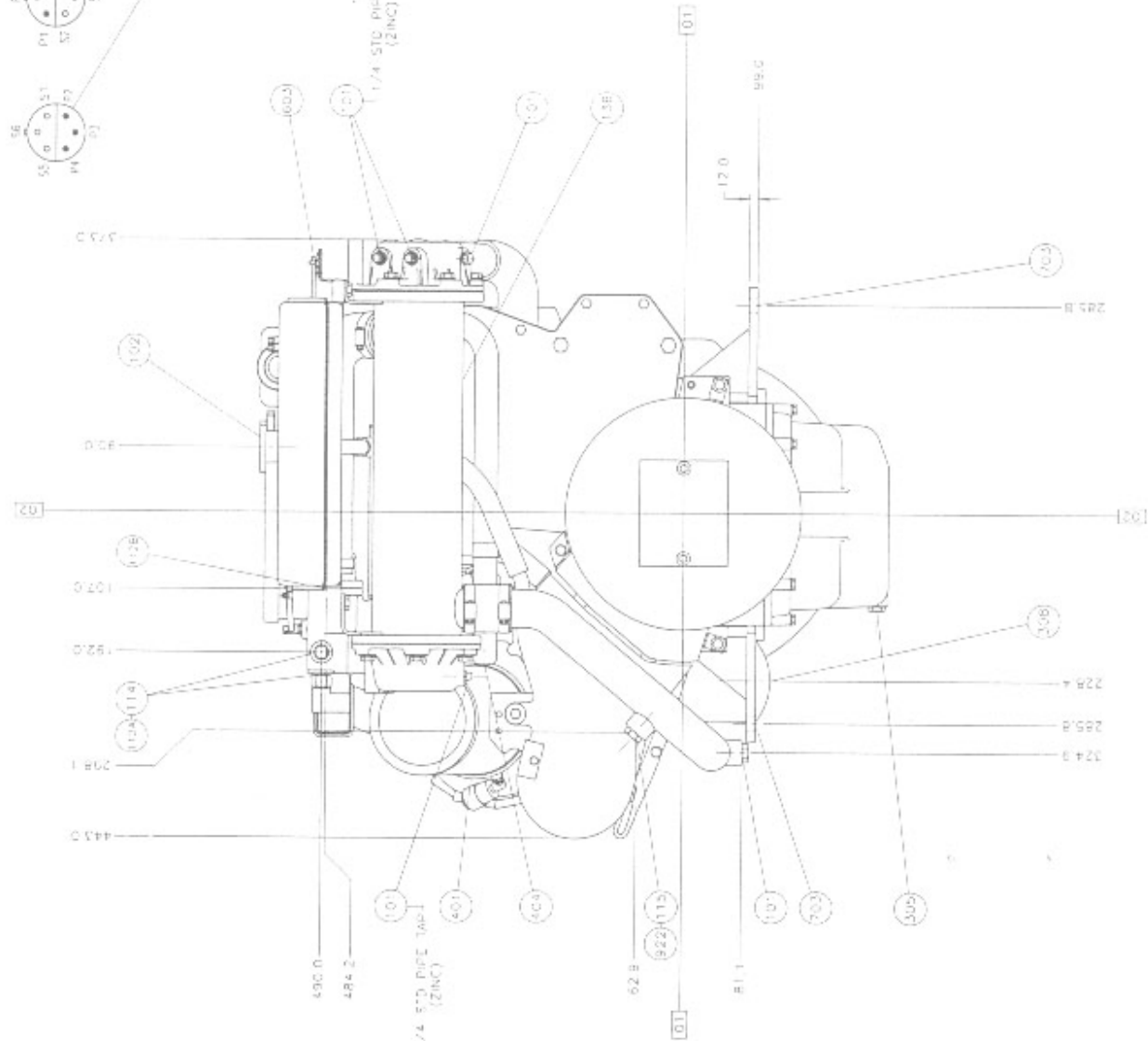


3116 DITA

METRIC 9Y-4861



DETAIL OF JUNCTION BOX CONNECTIONS
SCALE 1:1



CONNECTION LOCATION	JUNCTION BOX LOCATION	WIRE PANEL CIRCUIT
P1	A	COMMON - POSITIVE
S2	B	COMMON - NEGATIVE
S3	C	RUN/STOP SOLENOID
S4	D	START 50°C
P5	E	ENGINE OIL PRESSURE SENSOR
P6	F	COOLANT TEMPERATURE SENSOR
S1	G	GEAR OIL PRESSURE SENSOR
P2	H	FUEL PRESSURE SENSOR
P3	I	ENGINE ALARM
P4	J	HOURMETER
S5	K	FUNCTIONALITY SIGNAL
S6	L	TACHOMETER SIGNAL

MODEL NO. DIT616 STROKE
 3116 R 105.0 127.0
 10000 RPM/5000 RPM SERVO
 10000 RPM/5000 RPM SERVO
 10000 RPM/5000 RPM SERVO
 10000 RPM/5000 RPM SERVO
 10000 RPM/5000 RPM SERVO
CATERPILLAR INC.
 PEERLESS ENGINE DIVISION
 3116 DITA
 9Y-4861 R Issue 1

