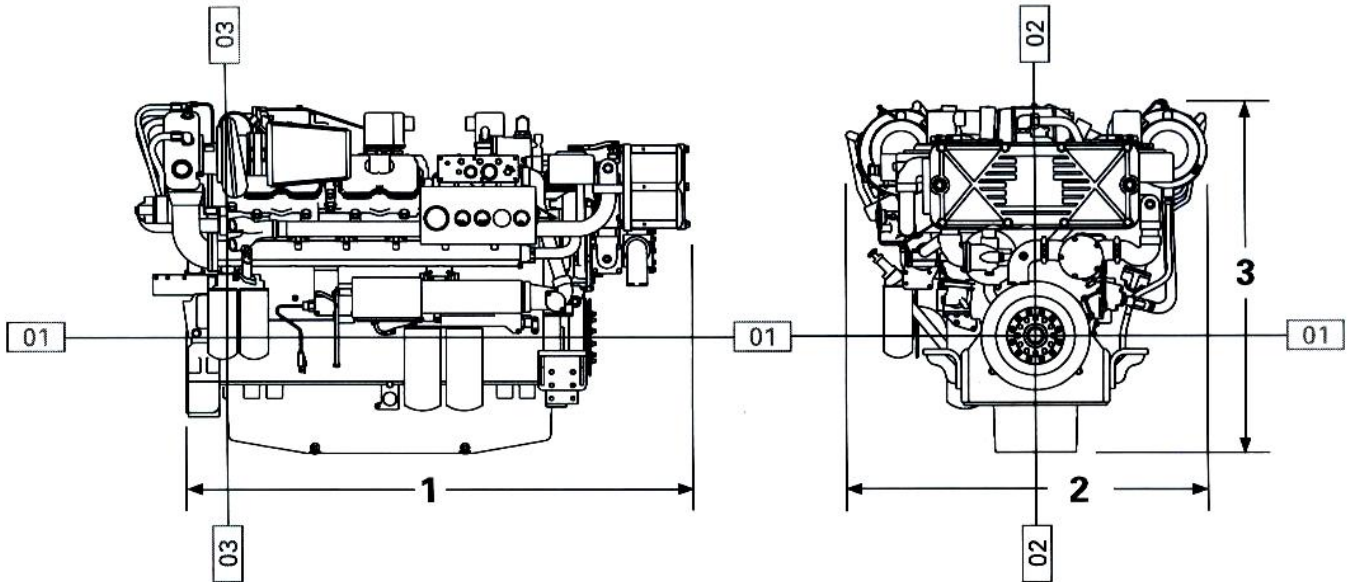


DIMENSIONS

Right Side

Front



Engine Dimensions		
(1) Length to Flywheel Housing	1889.8 mm	74.4 in
(2) Width	1354.2 mm	53.31 in
(3) Height	1371.6 mm	54 in
Weight, Net Dry (approx)	2233 kg	4,923 lb

Note: Do not use for installation design. See general dimension drawings for detail (Drawing # 1807468).

