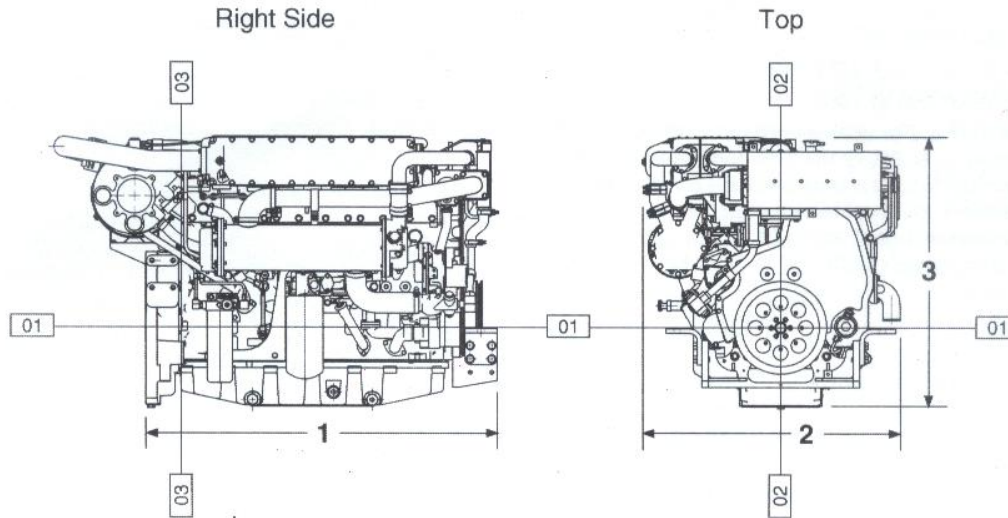


DIMENSIONS

Preliminary



Preliminary Engine Dimensions		
(1) Length to Flywheel Housing	1329.9 mm	52.36 in
(2) Width	968.6 mm	38.13 in
(3) Height	1008.7 mm	39.71 in
Weight, Net Dry (approx)	1174 kg	2,588 lb

Note: Do not use for installation design.