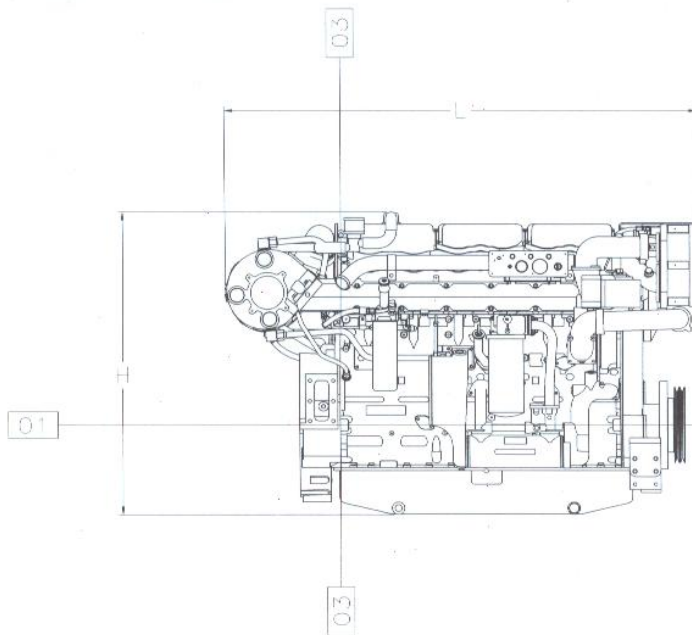
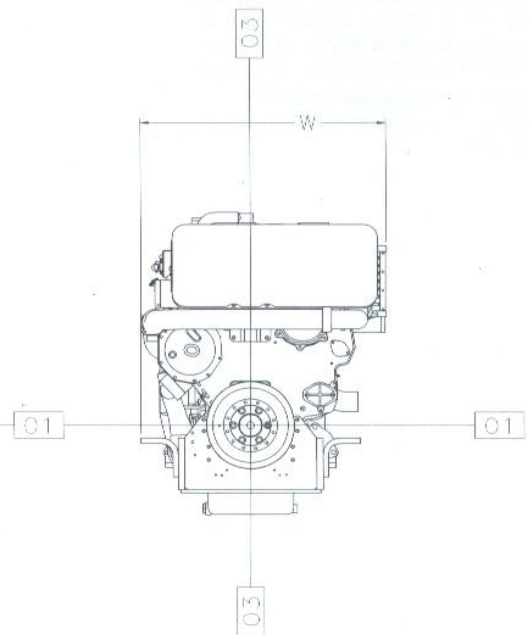


DIMENSIONS

Right Side



Front



Engine Dimensions		
(1) Length to Flywheel Housing	1527.1 mm	60.12 in
(2) Width	941.8 mm	37.08 in
(3) Height	1170.5 mm	46.08 in
Weight, Net Dry (approx)	1463 kg	3,225 lb

Note: Do not use for installation design. See general dimension drawings for detail (Drawing # 2755676).

