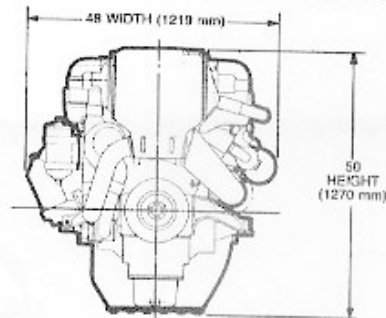
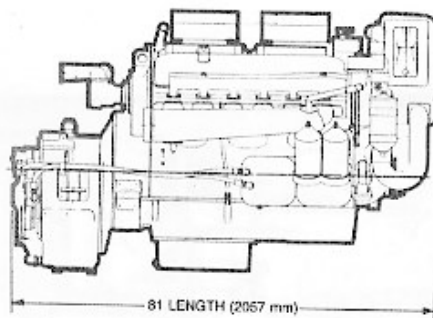
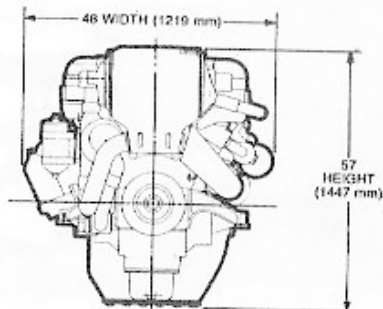
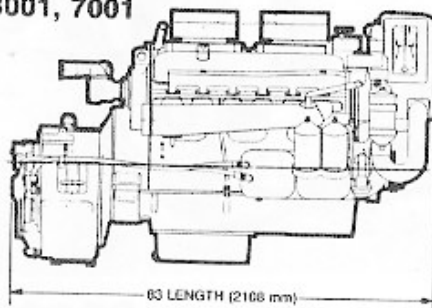


principal dimensions

MODEL 7122-3000, 7000



MODEL 7122-3001, 7001



For complete dimensional information regarding Models 7122-3000, 7122-3001, 7122-7000, and 7122-7001, refer to installation drawing 2SA442.

standard equipment

Air Inlet Housing

Air Silencer

Alternator—24 volt, 65 amp

Crankshaft Pulley—Models 7122-3000, 7122-7000

Engine Mounts

Flywheel—SAE #1

Flywheel Housing—SAE #1

Fuel Filters

Governor—Variable Speed

Heat Exchanger

Injectors—Cam operated, unit type, clean tip

Instruments—Includes ammeter, hour meter, tachometer, water temperature gauge, oil pressure gauges for engine and marine gear

Lube Oil Cooler

Lube Oil Filter—Full Flow

Marine Gear—Twin Disc Hydraulic reverse and reduction gear: 2 to 1 ratio, Models 7122-3000, 7122-7000; 4.13 to 1 ratio, Models 7122-3001, 7122-7001

Oil Pan—Stamped pan for 0-15° inclination angle

Starting Motor—24 Volt

Water Filter—Fresh water filter with 30-gallon (113.6 litres) capacity

For a complete listing of standard and optional equipment, consult your authorized Detroit Diesel Allison representative.

Specifications subject to change without notice.



Detroit Diesel Allison
Division of General Motors Corporation

13400 West Outer Drive Detroit, Michigan 48228

In Canada: Diesel Division, General Motors of Canada Limited, London Ontario