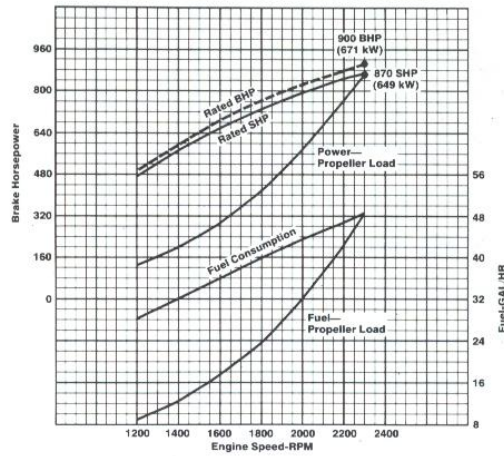


Performance Curve

Model 12V-71TA—Maximum



Rating Explanation

RATED BHP Basic engine gross horsepower.

RATED SHP Net power available at the marine gear output flange.

PROPELLER LOAD indicates horsepower absorbed by a typical fixed pitch propeller.

POWER OUTPUT guaranteed within 5% at rated ambient conditions.

MARINE MAXIMUM The marine maximum rating applies to high performance boats where speed is of primary importance and overall load factors are low. Normal or continuous cruising RPM should be limited to 90% of rated engine RPM, and the use of full rated power should be limited to 10% (average) of

operating time. This rating is normally reserved for privately-owned yachts in non-revenue applications with an average annual hour accumulation of 500 hrs.

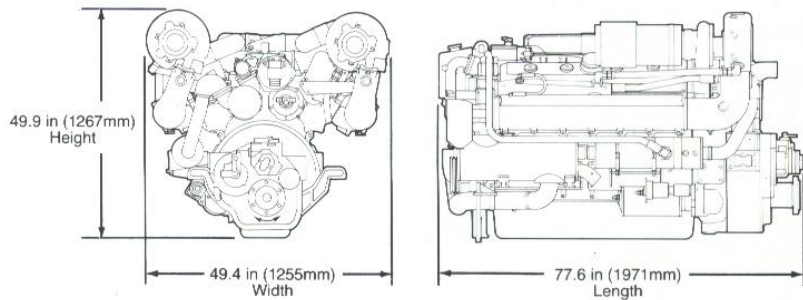
NOTE: Other boats; e.g., fire, police, with an overall duty cycle similar to maximum or intermittent-maximum may be applied at the appropriate rating.

Consult your authorized Detroit Diesel Corporation representative for the rating that will apply to your vessel.

Dimensional Drawing

Model 7122-7603
12V-71TA

Approximate dimensions shown.
For complete dimensional information,
refer to installation drawing



DETROIT DIESEL
CORPORATION



13400 Outer Drive, West / Detroit, Michigan 48239-4001

Telephone: 313-592-5000

Telex: 4320091 / TWX: 810-221-1649

FAX: 313-592-7288

