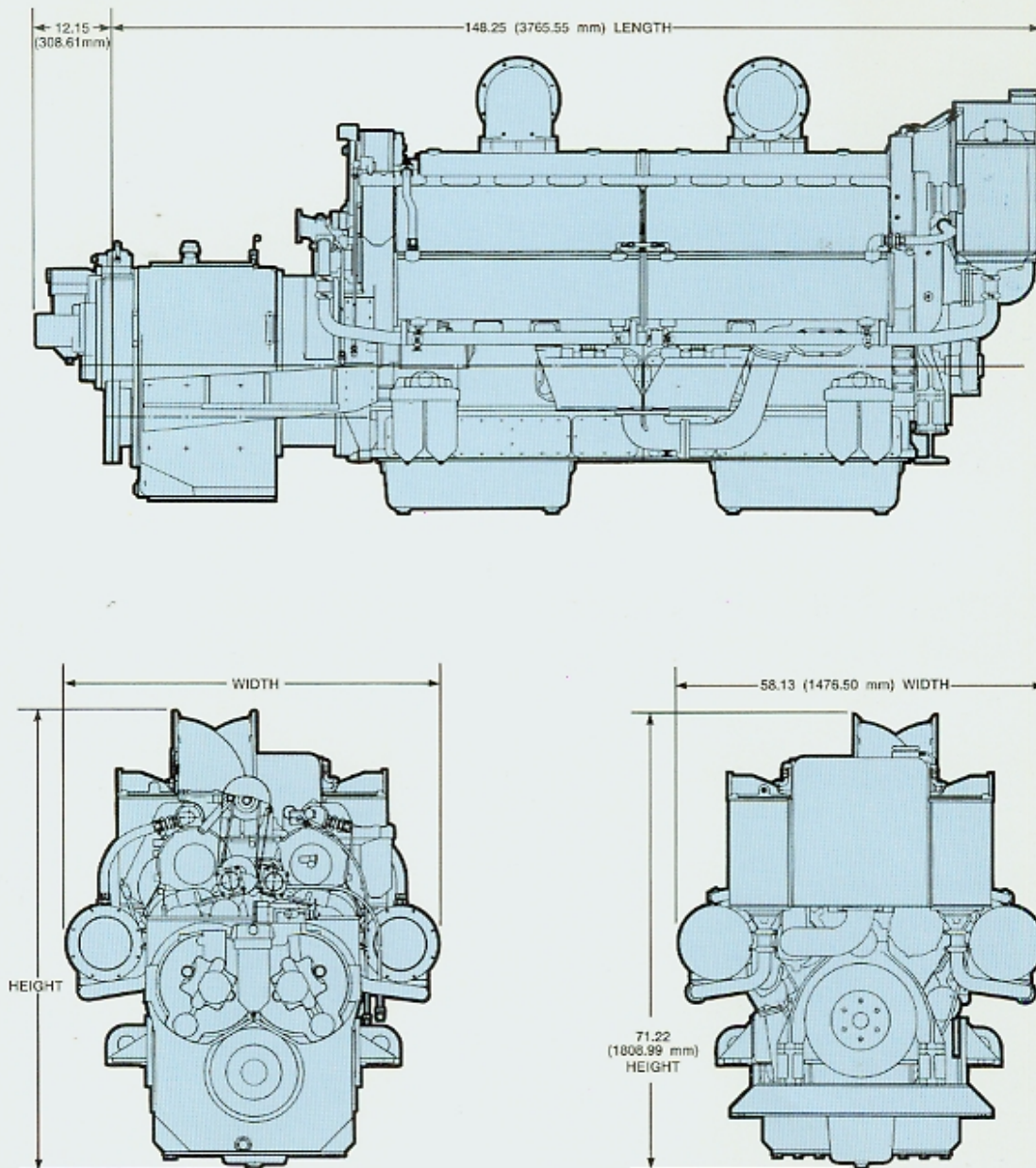


principal dimensions



For complete dimensional information, refer to installation drawing 2SA373.

