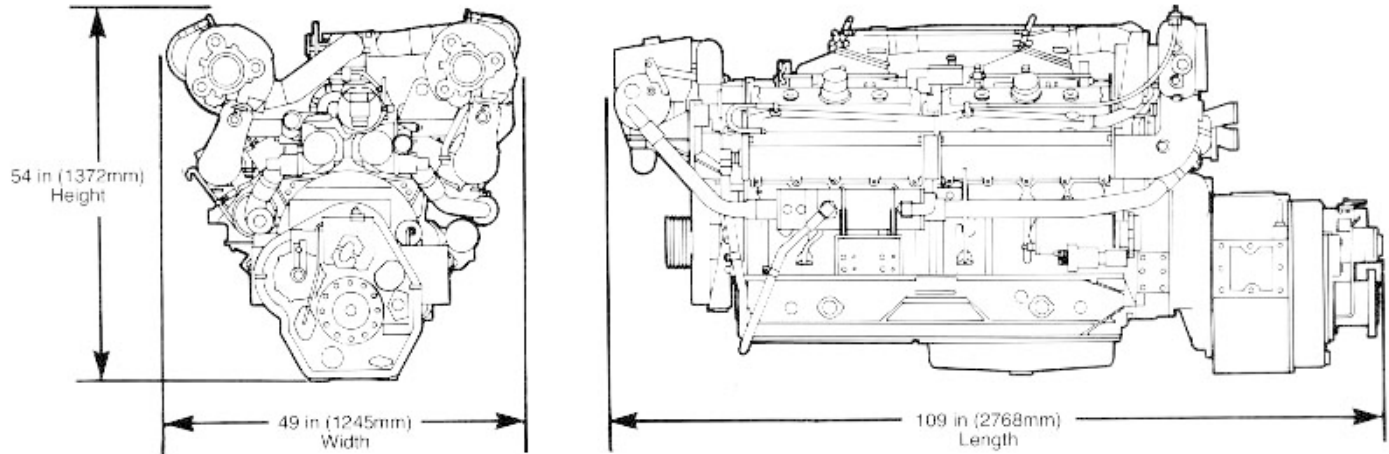


# DETROIT DIESEL Series 92

Marine Model 16V-92TA DDEC 1450 BHP  
Pleasure Craft



### General Specifications

Basic Engine	16V-92TA
Model	8162-7B00
Description	Turbocharged-Aftercooled with Bypass Blower
Control	DDEC
Number of Cylinders	16
Bore and Stroke	4.84 in x 5.00 in (123 mm x 127 mm)
Displacement	1472 cu in (24.1 liters)
Compression Ratio	15.0 to 1
Weight (dry)	7240 lbs (3284 kg)

### Rated Power Output—Maximum

Gross Power	1450 BHP (1082 kW) @ 2300 RPM
Net Power	1400 SHP (1044 kW) @ 2300 RPM

### Equipment Specifications

- Aftercooler—Two-pass with precooled coolant supply (Boostcooler)
- Air Inlet Housing—With manual shutdown
- Alternator—24 volt, 65 amp
- Crankshaft Pulley—5 Grooves, .50 inch wide
- DDEC—Detroit Diesel Electronic Control
- Engine Mounts
- Exhaust Manifold—Fresh water-cooled manifolds and twin turbine housings
- Flywheel Housing—SAE #1
- Fuel System—Electronic unit injectors with low pressure USCG type A external hoses, fuel filters and cooler
- Heat Exchanger—Includes 2 raw water pumps & piping
- Lube Oil Filter—Dual full flow, spin on
- Marine Gear—Detroit Diesel-272EV (1.18, 1.50, 1.74, 2.04)
- Oil Pan—Stamped steel for 0-15° inclination angle, rear sump
- Starting Motors—Two 24 volt
- Vibration Damper—Viscous torsional damper

Rating conditions: ISO 3046, SAE J1349, SAE J1228  
77°F (25°C) and 29.31 in. Hg. (99kPa) Barometer (Dry)

For a complete listing of standard and optional equipment, consult your authorized Detroit Diesel Corporation representative.

Illustration represents a typical marine engine