

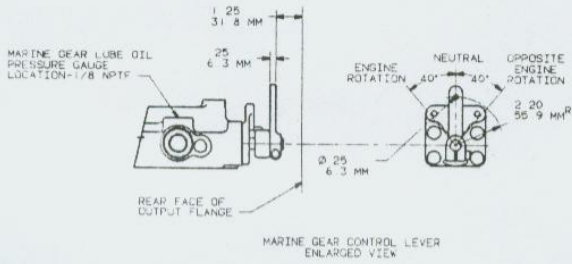
DO NOT SCALE

DD 6-71TI  
1 of 2

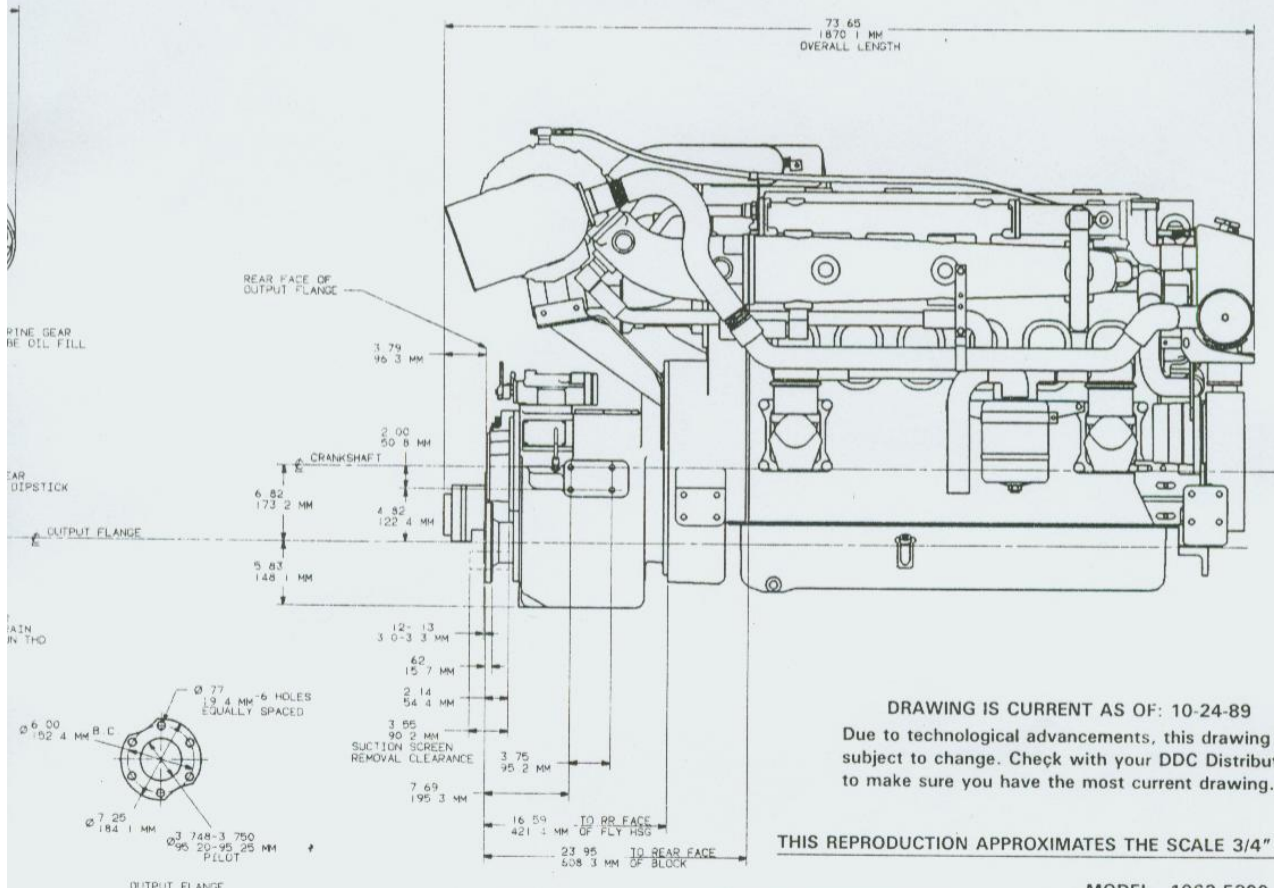
**DETROIT DIESEL**

CORPORATION

13400 Outer Drive, West / Detroit, Michigan 48239-4001



MARINE GEAR CONTROL LEVER ENLARGED VIEW



DRAWING IS CURRENT AS OF: 10-24-89  
Due to technological advancements, this drawing is subject to change. Check with your DDC Distributor to make sure you have the most current drawing.

THIS REPRODUCTION APPROXIMATES THE SCALE 3/4" = 1 FOOT

MODEL 1062-5300 2SA654B

REF: INSTALLATION DWG 23505514

GROUP NO. REF:	DESCRIPTION-TITLE	COMPUTER GRAPHICS CHANGE RESTRICTED	DRAWING NO.
85-1184	AVAILABLE GEAR RATIOS 1.45, 1.71 & 2.04	DATE	THIRD ANGLE PROJECTION
85-1185		BY	
85-1186		CHECKED	
85A-318		APPROVED	

