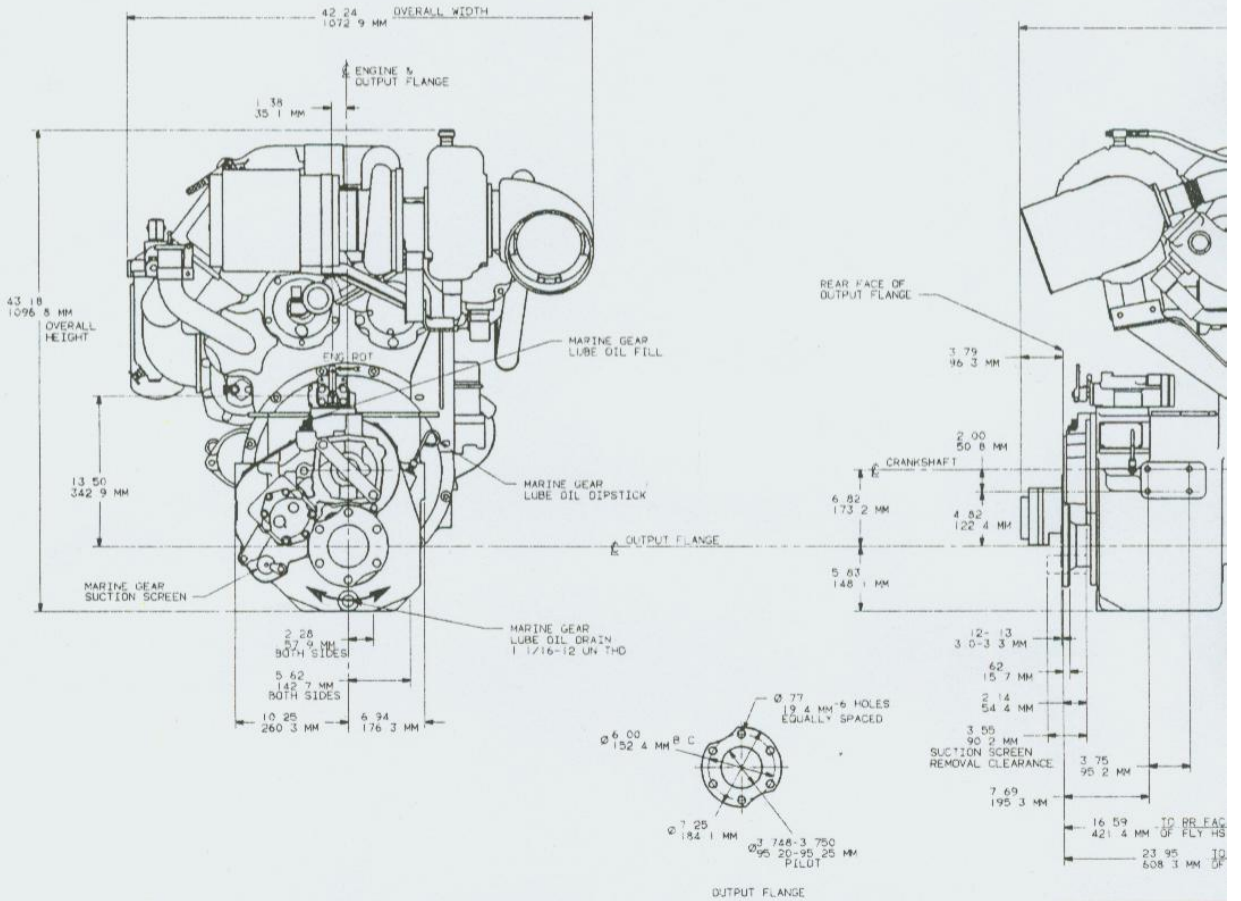
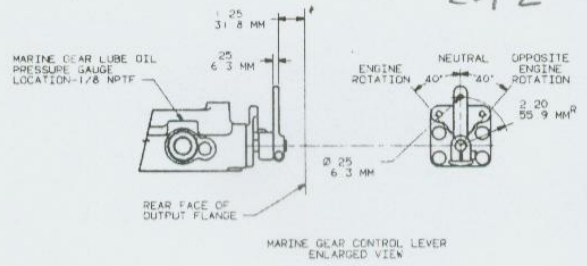


Printed stock tends to be dimensionally unstable due to stretching, shrinking and folding. Therefore, dimensions which are not shown on this drawing should not be calculated by scaling.

DD 6-71 TI
2 of 2



SPECIFICATIONS SUBJECT TO CHANGE WITHOUT NOTICE.

REF: INSTALLATION DWG
23505514

SHEET NO. 1	SK-10321	GROUP NO. REF.	DES. 109 AV.
		785-1184	
		785-1185	
		785-1186	