

Performance Curves

Rating Explanation

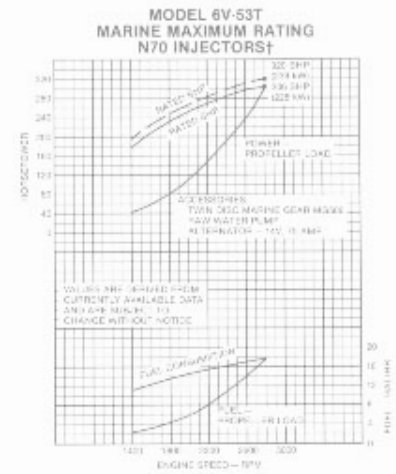
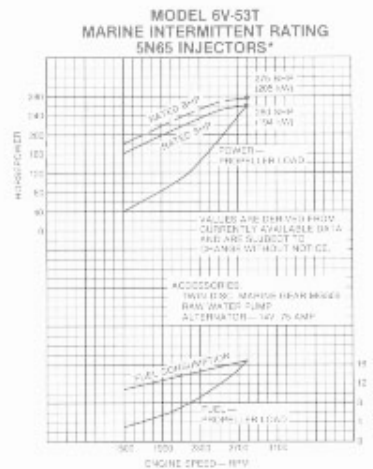
RATED BHP—Basic engine gross horsepower.
RATED SHP—Net power available at the marine gear output shaft.

PROPELLER LOAD—Indicates horsepower absorbed by a typical propeller and the corresponding fuel consumption throughout the speed range.

POWER OUTPUT guaranteed within 5% at standard ambient conditions.

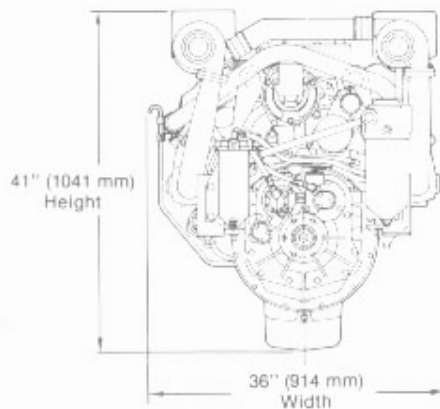
MARINE ENGINE RATING—The use of the ratings e.g., maximum, intermittent and continuous; varies with type of vessel in which the engine is installed. See your Detroit Diesel Allison representative for the rating that will apply to your vessel.

*Rating conditions of 85°F (29.4°C) and 29.00 in Hg (98.19 kPa) Barometer (Dry)
 †Rating conditions of SAE: 77°F (25°C) and 29.31 in Hg (99 kPa) Barometer (Dry)

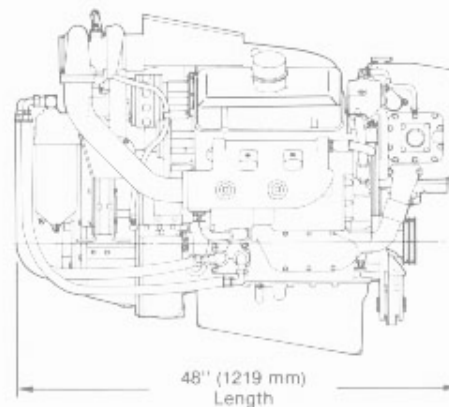


Dimensional Drawing

Model 5062-7300



6V-53T



Approximate dimensions shown.

For complete dimensional information regarding Model 5062-7300, refer to installation drawing 2SA450. NOTE: LH propeller requires LH marine gear.



Detroit Diesel Allison
 Division of General Motors

13400 Outer Drive, West, Detroit, Michigan 48239-4001
 (313/592-5000)

