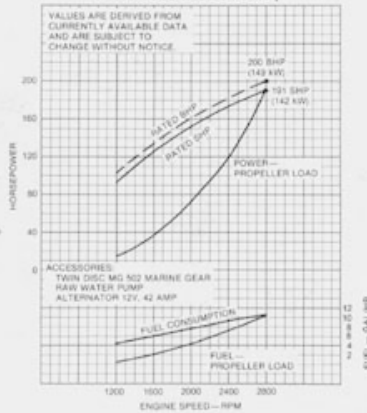
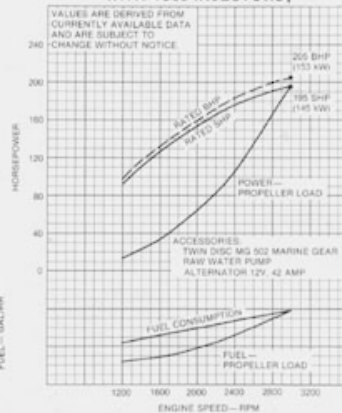


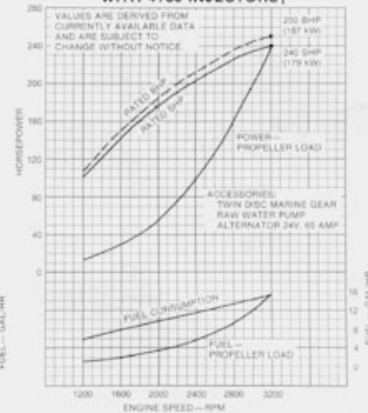
**MODEL 8.2T
MARINE INTERMITTENT RATING
WITH 4C65 INJECTORS†**



**MODEL 8.2T
MARINE INTERMITTENT RATING
WITH 4C65 INJECTORS†**



**MODEL 8.2T
MARINE MAXIMUM RATING
WITH 4T80 INJECTORS†**



Rating Explanation

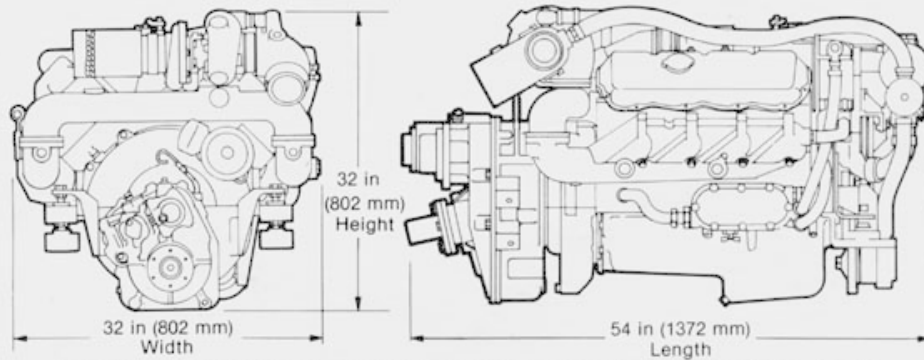
RATED BHP—Basic engine gross horsepower.
RATED SHP—Net power available at the marine gear output shaft.
PROPELLER LOAD—Indicates horsepower absorbed by a typical propeller and the

corresponding fuel consumption throughout the speed range.
POWER OUTPUT guaranteed within 5% at standard ambient conditions.
MARINE ENGINE RATING—The use of the ratings e.g., maximum, intermittent and continuous;

varies with type of vessel in which the engine is installed. See your Detroit Diesel Allison representative for the rating that will apply to your vessel.
†Rating conditions of SAE: 77°F (25°C) and 29.31 in Hg (99 kPa) Barometer (Dry)

Model 4082-8300

8.2T



Approximate dimensions shown. For complete dimensional information, refer to installation drawing 2SA487.

**WORLDWIDE
REGIONAL OFFICES**

Atlanta, Georgia (404/257-3630)
Naperville, Illinois (312/961-6750)
Dallas, Texas (214/659-5050)
Parsippany, New Jersey (201/993-4040)
Fremont, California (415/498-5200)
London, Ontario, Canada (519/452-5000)

Rotterdam, The Netherlands (31) 10-29-0000
Dandenong, Victoria, Australia (61) 3-797-7911
Athens, Greece (30) 1-6833-100

Coral Gables, Florida (305/446-4900)
Jurong Town, Singapore (65) 265-4697
Mexico City, Mexico (905) 250-4354



Detroit Diesel Allison

Division of General Motors

13400 Outer Drive, West, Detroit, Michigan 48239-4001
(313/592-5000)

OFFICES

Denver, Colorado, U.S.A.
Los Angeles, California, U.S.A.
Arlington, Virginia, U.S.A.
Antwerp, Belgium
Biel Bienne, Switzerland
Helsinki, Finland
Lisbon, Portugal

Oslo, Norway
Paris, France
Ruesselsheim, Germany
Stockholm, Sweden
Northampton, England
Johannesburg, South Africa
Adelaide, Australia

Brisbane, Australia
Sydney, Australia
West Perth, Australia
Jakarta, Indonesia
Taipei, Taiwan
Tokyo, Japan
Beijing, China
Bogota, Colombia
Buenos Aires, Argentina
Lima, Peru
Santiago, Chile
Sao Paulo, Brasil