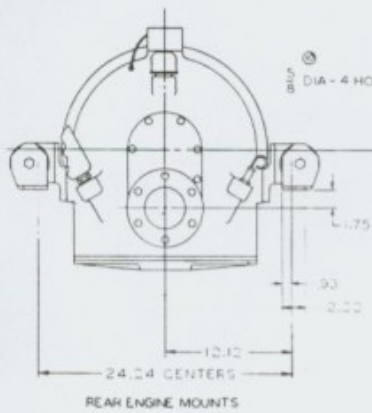
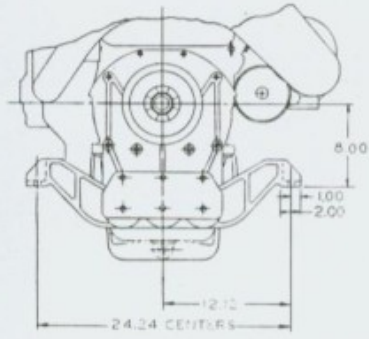


43678

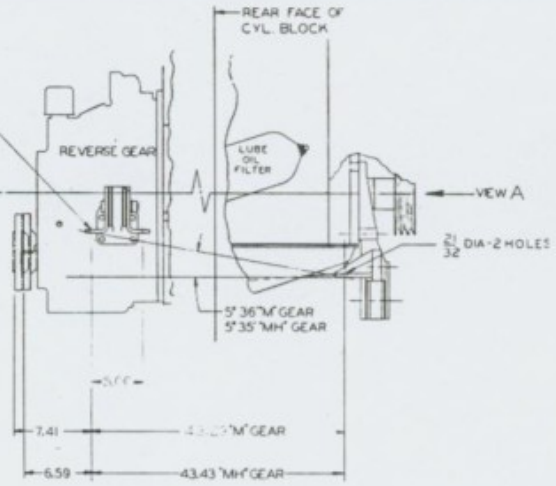
81-7-18  
5 of 5  
2 of 5



REAR ENGINE MOUNTS

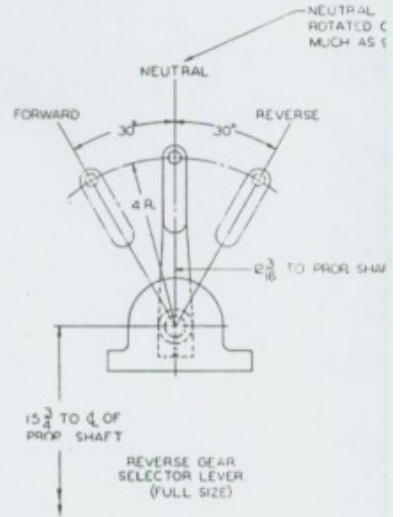


VIEW A  
FRONT ENGINE MOUNTS



VIEW A

OPTIONAL-RESILIENT TYPE ENGINE MOUNTS  
INSTALLATION ANGLE



**DO NOT SCALE**

