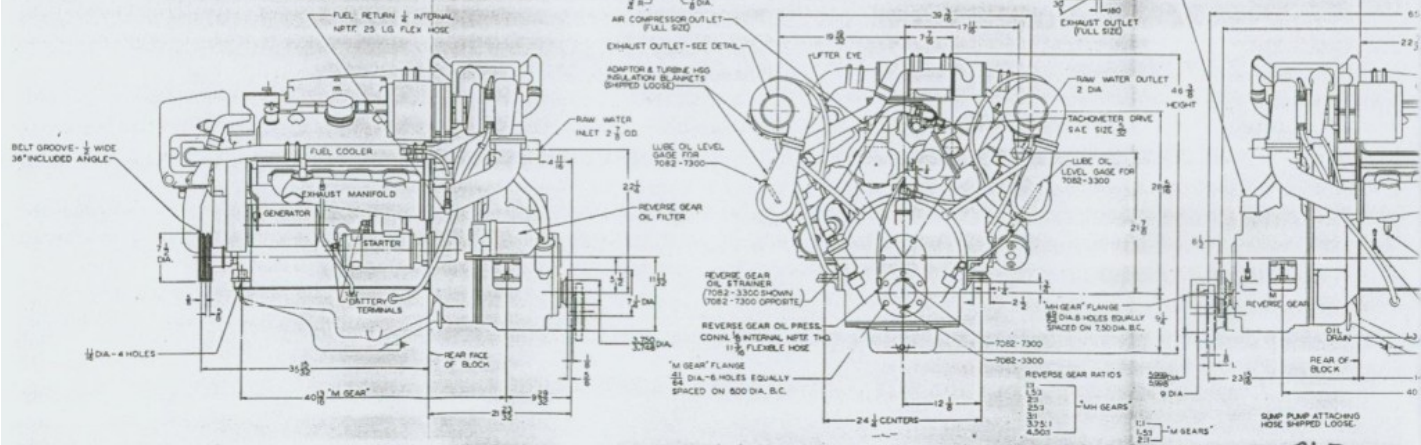
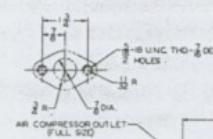
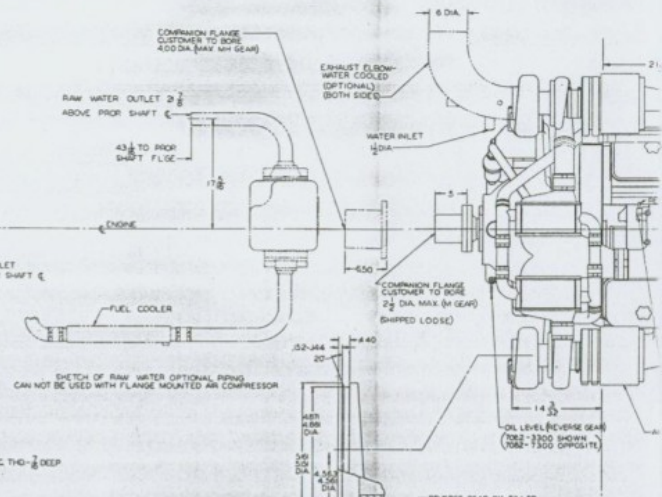
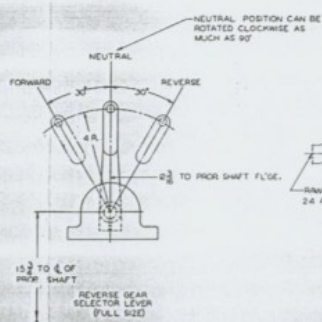


OPTIONAL-RESILIENT TYRE ENGINE MOUNTS
INSTALLATION ANGLE



REVERSE GEAR RATIOS

11	1.5
15	2.5
21	3.5
31	5.0
43	6.0

REVERSE GEAR RATIOS
1.5
2.5
3.5
5.0
6.0

8V-71TZ
30P5 SPECIFICATI