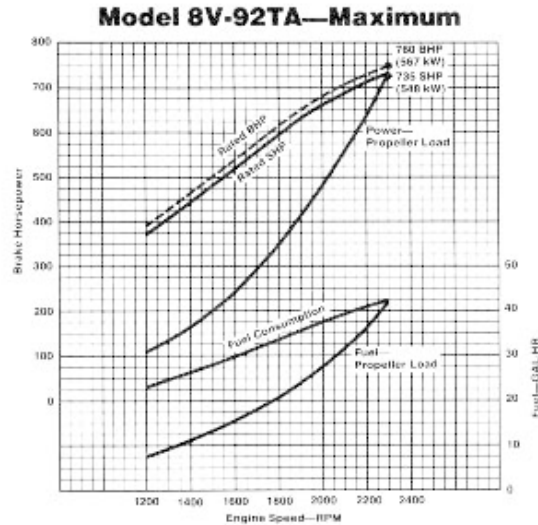


Performance Curve



Rating Explanation

RATED BHP Basic engine gross horsepower.

Rated SHP Net power available at the marine gear output flange.

PROPELLER LOAD indicates horsepower absorbed by a typical fixed pitch propeller.

POWER OUTPUT guaranteed within 5% at rated ambient conditions.

MARINE MAXIMUM The marine maximum rating applies to high performance boats where speed is of primary importance and overall load factors are low. Normal or continuous cruising RPM should be limited to 90% of rated engine RPM, and the use of full rated power should be limited to 10% (average) of operating time. This rating is normally reserved for privately-owned yachts in non-revenue applications with an average annual hour accumulation of 500 hrs.

MARINE INTERMITTENT- MAXIMUM The intermittent-maximum rating is reserved for privately-owned yachts with long-range cruising capability and/or used in seasonal charter operation. Normal or continuous cruising RPM should be limited to 90% of the rated engine RPM and the use of full rated power should be limited to 10% (average) of operating time. All boats in this category are limited to a maximum of 1,000 hours per year.

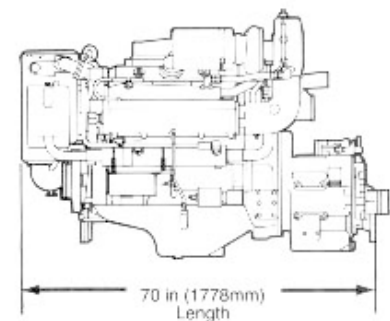
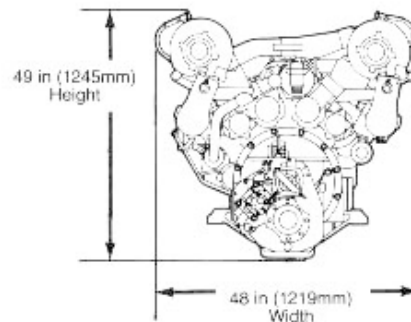
NOTE: Other boats; e.g., fire, police, with an overall duty cycle similar to maximum or intermittent-maximum may be applied at the appropriate rating.

Consult your authorized Detroit Diesel Corporation representative for the rating that will apply to your vessel.

Dimensional Drawing

Model 8082-7B00
8V-92TA

Approximate dimensions shown.
For complete dimensional information,
refer to installation drawing.



DETROIT DIESEL
CORPORATION



13400 Outer Drive, West / Detroit, Michigan 48239-4001

Telephone: 313-592-5000

Telex: 4320091 / TWX: 810-221-1649

FAX: 313-592-7288

Detroit Diesel® and the spinning arrows are registered trademarks of Detroit Diesel Corporation.
4SA348 9006 As technical advancements continue, specifications will change. Litho in U.S.A.