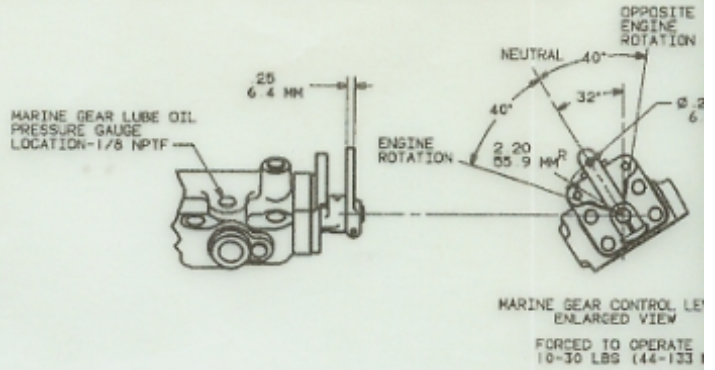
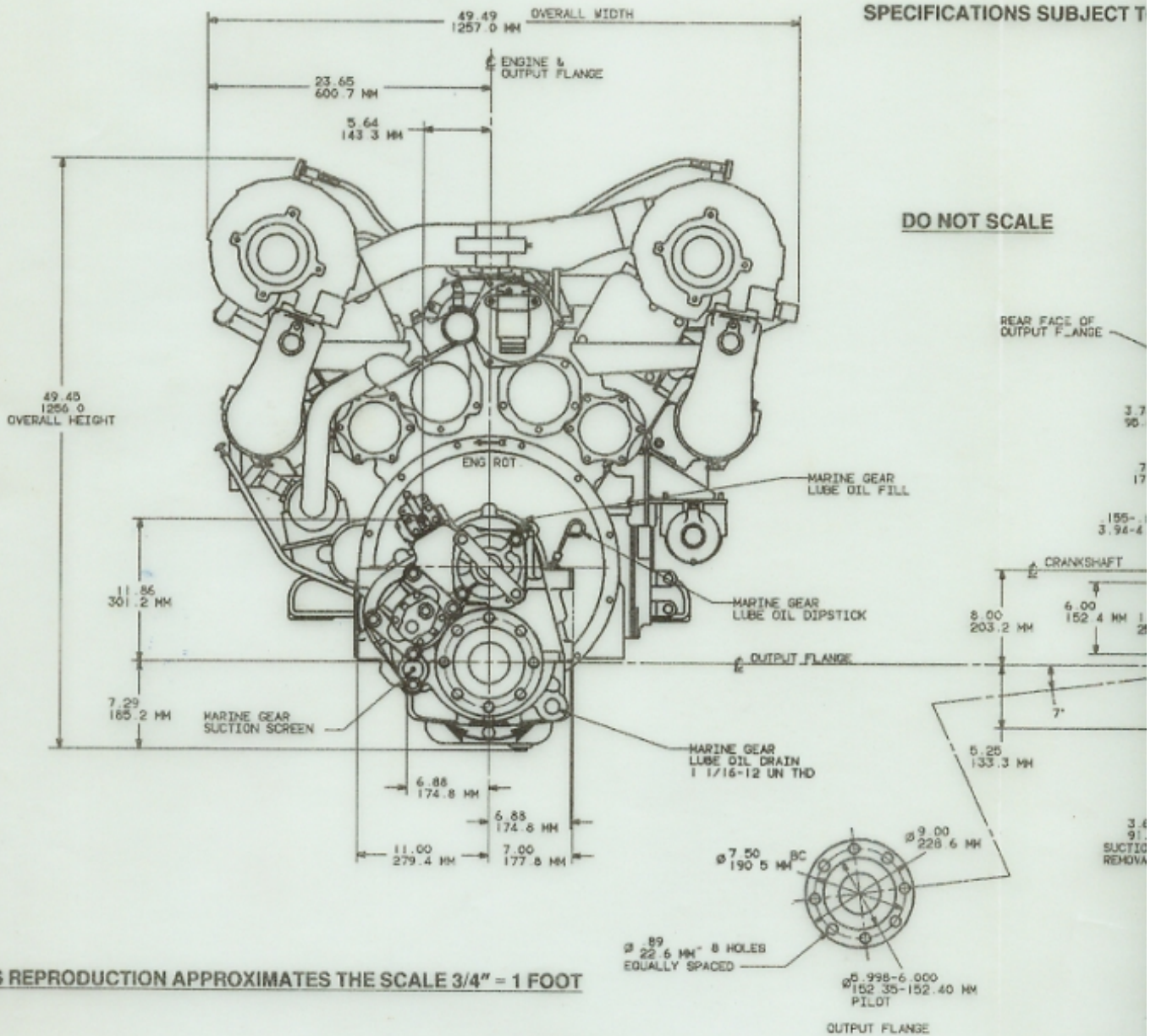


Printed stock tends to be dimensionally unstable due to stretching, shrinking and folding. Therefore, dimensions which are not shown on this drawing should not be calculated by scaling.



SPECIFICATIONS SUBJECT T

DO NOT SCALE



THIS REPRODUCTION APPROXIMATES THE SCALE 3/4" = 1 FOOT

REF: INSTALLATION DWG 23504645

