

Standard Equipment

Starting System	Electric starter motor 24 V
Auxiliary PTO	Charging generator, 140A, 28V, 2 pole
Oil System	Gear driven lube oil pump, lube-oil multi-stage filter with diverter valve, lube-oil heat exchanger, handpump for oil extraction
Fuel System	Fuel feed pump, fuel hand pump, fuel main filter with diverter valve, on-engine fuel oil cooler, individual HP injection pumps, jacked HP fuel lines, injection nozzles (PLN system), flame proof hose lines, leak-off fuel tank level monitored
Cooling System	Coolant-to-raw water plate core heat exchanger, self priming centrifugal raw water pump, gear driven coolant circulation pump
Combustion Air System	Sequential turbocharging with 2 watercooled exhaust-gas turbochargers, on-engine set of combustion-air filters
Exhaust System	Triple-walled, liquid-cooled, on-engine exhaust manifolds, 2 exhaust bellows horizontal discharge
Mounting System	Resilient mounts at free end
Engine Management System	Engine and gearbox control and monitoring system (MDEC)

Optional Equipment

Auxiliary PTO	Bilgepump, on-engine PTOs
Oil System	Oil replenishment system
Fuel System	Fuel pre-filter
Cooling System	Integrated seawater gearbox piping
Exhaust System	2 exhaust bellows vertical discharge
Mounting System	Resilient mounts at driving end
Monitoring / Control System	Blue Line, MCS-5, RCS-5
Power Transmission	Torsionally resilient coupling
Gearbox Options	Reverse reduction gearbox, el. actuated, gearbox mounts, trolling mode for dead-slow propulsion, free auxiliary PTO, hydraulic pump drives

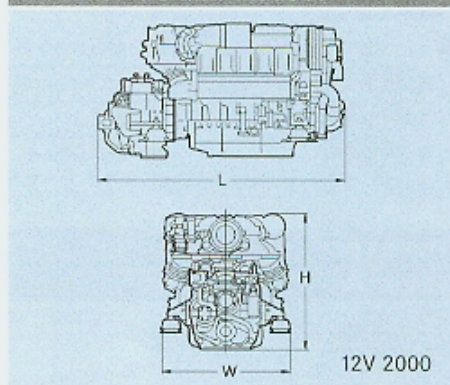
Power definition according ISO 3046
 Intake air temperature 25°C / Sea water temperature 25°C
 Intake air depression 15 mbar / Exhaust back pressure 30 mbar
 Barometric pressure 1000 mbar
 Power reduction at 45°C/32°C: 4,0%
 IMO and Tier 2 certified

Dimensions and Masses (incl. gearbox)

Engine Model		12V 2000	16V 2000
Lenght [L]	mm (in)	2305 (90.7)	2940 (115.7)
Width [W]	mm (in)	1400 (55.1)	1400 (55.1)
Height [H]	mm (in)	1230 (48.4)	1290 (50.8)
Mass [dry]	kg (lbs)	3120 (6878)	3870 (8554)

Specifications are subject to change without notice.
 All dimensions are approximate. For complete information refer to installation drawing.
 For further information consult your MTU or Detroit Diesel distributor/dealer or any other authorized DaimlerChrysler representative.

Dimensions and Masses



DaimlerChrysler Off-Highway

MTU Friedrichshafen GmbH
 88040 Friedrichshafen
 Germany
 Phone +49 7541 90 28 98
 Fax +49 7541 90 39 46
 marine@mtu-online.com
 www.mtu-online.com

Detroit Diesel Corporation
 13400 Outer Drive, West
 Detroit, Michigan 48239-4001, USA
 Phone +1 313 592 51 24
 Fax +1 313 592 51 37
 marine@detroitdiesel.com
 www.detroitdiesel.com

Your Contact: