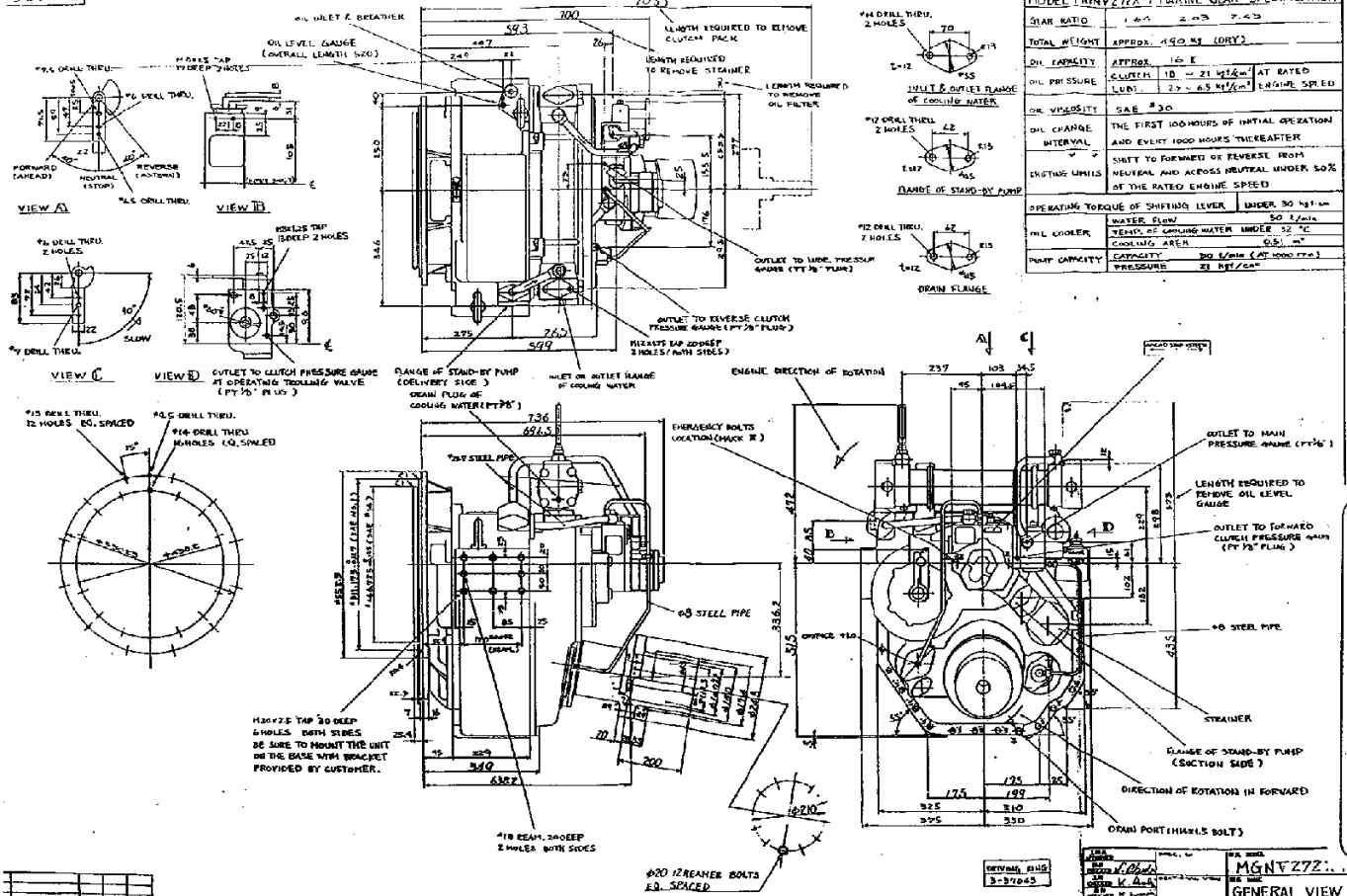


56E-L



REVISIONS

NO.	DATE	BY	CHKD.	REVISION
1				
2				
3				
4				
5				

MODEL MGNV272X-1
GENERAL VIEW
7-33956
MITSUBISHI ENGINEERING CO. LTD.
YOKOHAMA, JAPAN