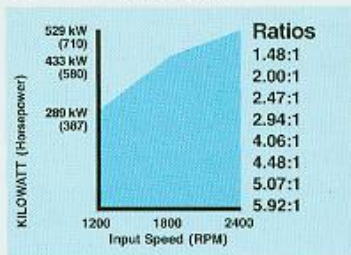


DRAWING NUMBER	RATIOS	D	T	APPROX. DRY WEIGHT
XA7343A	1.48:1, 2.00:1 2.47:1, 2.94:1	292 mm (11.5")	281 mm (11.1")	966 kg (2130 lb)
XA7292A	4.06:1, 4.48:1 5.07:1, 5.92:1 6.48:1	375 mm (14.8")	383 mm (15.1")	1111 kg (2450 lb)

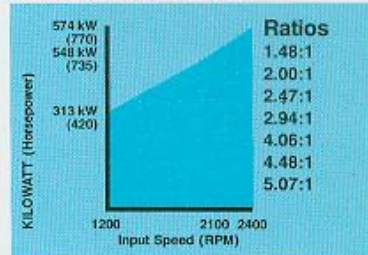
Use Certified Print for Installation

Input Power Ratings — Kilowatts (Horsepower)

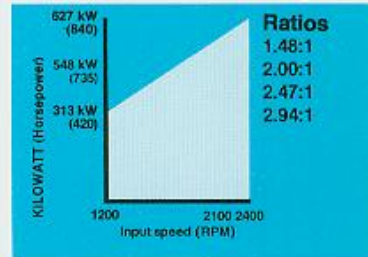
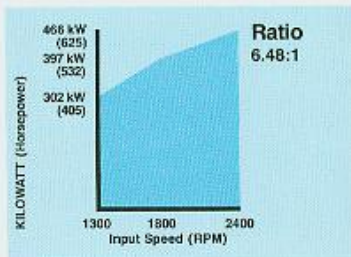
Continuous Duty



Intermediate Duty

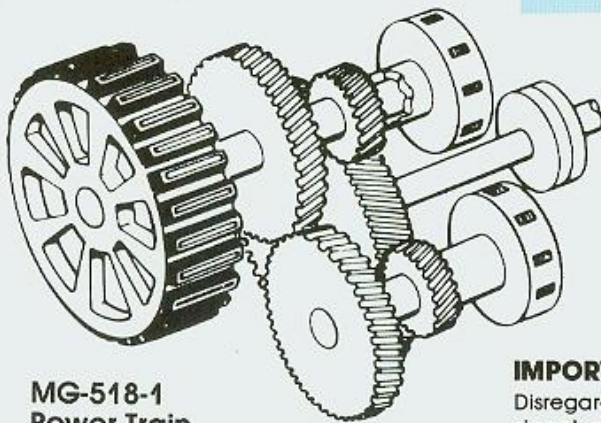


Pleasure Craft (Planing Hull)



... should contact the nearest Twin Disc or the engine distributor for exchanger specifications. When ordering, specify if raw or fresh water is to be used for heat exchanger cooling.

For Service Classification Definitions see back cover.



MG-518-1
Power Train

IMPORTANT NOTICE

Disregarding propulsion system torsional compatibility could cause damage to components in the drive train resulting in loss of mobility. At minimum, system incompatibility could result in gear clatter at low speeds.

The responsibility for ensuring that the torsional compatibility of the propulsion system is satisfactory

rests with the assembler of the drive and driven equipment.

Torsional vibration analysis can be made by the engine builder, marine survey societies, independent consultants and others. Twin Disc is prepared to assist in finding solutions to potential torsional problems that relate to the marine transmission.