

# TAMD73P EDC

## Technical Data

Engine designation	TAMD73P EDC
No. of cylinders and configuration	in-line 6
Method of operation	4-stroke, direct-injected, turbocharged diesel engine with aftercooler
Bore, mm (in.)	104.7 (4.12)
Stroke, mm (in.)	130 (5.12)
Displacement, l (cu.in.)	6.73 (411)
Compression ratio	15.6:1
Dry weight, kg (lb)	850 (1873)
Dry weight with reverse gear MG507A-E, kg (lb)	1029 (2267)
Crankshaft power, kW (hp) 2600 rpm	316 (430)
Propshaft power with MG507A-E, kW (hp)	303 (412)
Torque, Nm (ft.lb) 2600 rpm	1161 (856)
Recommended fuel to conform to	ASTM-D975 1-D & 2-D, EN 590 or JIS KK 2204
Specific fuel consumption, g/kWh (lb/hph) 2600 rpm	250.5 (0.406)
Fuel temperature	5-55°C (41-131°F)
Rating	5-4 (R5-R1)
Technical data according to ISO 3048 Fuel Stop Power and ISO 8665. Fuel with a lower calorific value of 42700 kJ/kg and density of 840 g/litre at 15 °C (60 °F). Merchant fuel may differ from this specification which will influence engine power output and fuel consumption.	
N.B. The product can also be used in an application with a higher rating than stated, e.g. R3 can be used for R4 or R5.	

## Optional equipment:

### Engine

- Flexible suspension for engine and reverse gear

### Lubrication system

- Electrically operated oil drain pump
- Rear-mounted full-flow and by-pass oil filters of spin-on types

### Fuel system

- Single or twin fuel filters/water separators

### Exhaust system

- Exhaust elbow, wet
- Exhaust riser, wet
- Exhaust boot, wet
- Exhaust elbow, dry
- Silencer, dry
- Flexible compensator, dry

### Cooling system

- Seawater strainer
- Hot water outlet
- Separate expansion tank

### Electrical system

- 12V 130A or 24V 100A extra alternators
- Various instrument panels
- Cable harness in different lengths
- EDC Monitoring panels
- Multistation unit
- Electrical control lever

### Power transmission

- PTO crankshaft front end, type stub shaft incl. universal bracket
- Hydraulic pump for steering and other duties

### Reverse gear

- MG507-E, 507A-E, 5061A-E, 5062V-E, IRM301A-EB and 302V-LD-EB reverse gear, electrically shifted

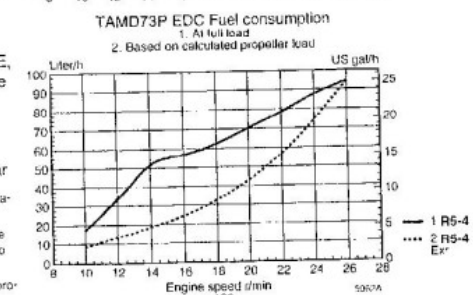
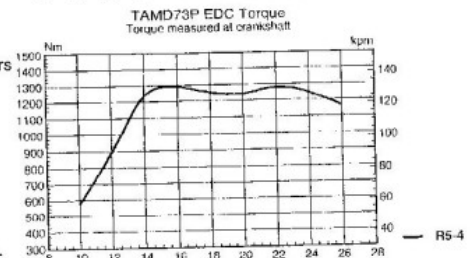
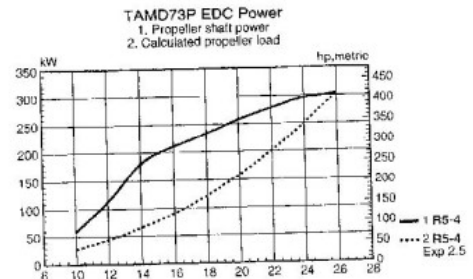
### Other equipment

- Belt guard
- White-painted engine and reverse gear

Contact your local Volvo Penta dealer for further information.

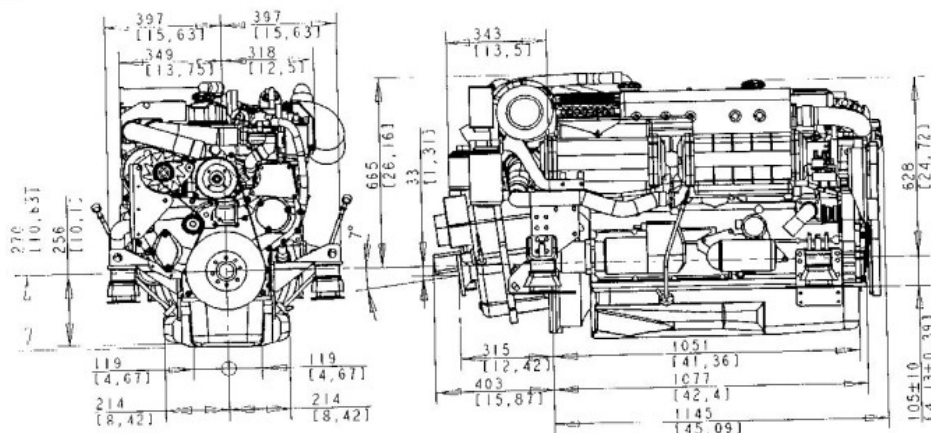
Not all models, standard equipment and accessories are available in all countries. All specifications are subject to change without notice.

The engine illustrated may not be entirely identical to production standard engines.



## Dimensions TAMD73P EDC with MG507A-E

Not for installation



# VOLVO PENTA

AB Volvo Penta  
SE-405 08 Göteborg, Sweden

