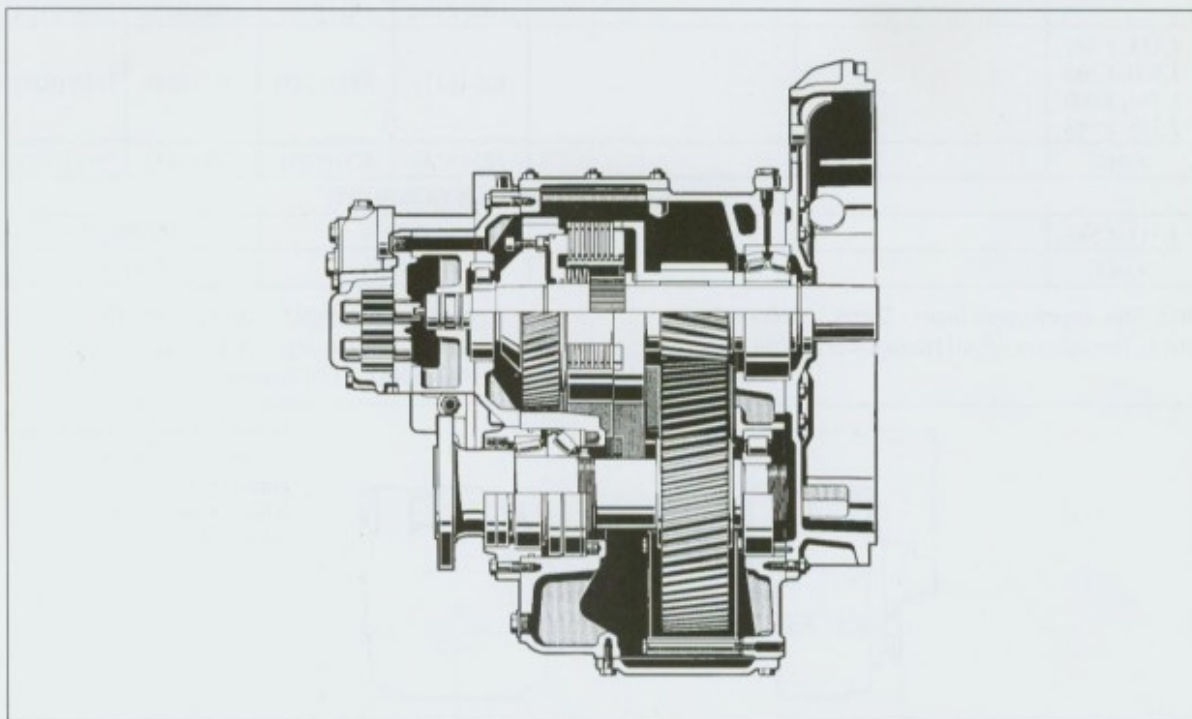




## MARINE TRANSMISSION SYSTEMS

### BW 165



#### DESCRIPTION

- Reverse reduction marine transmission with hydraulically actuated multi-disc clutches
- Non-reversing BU version also available
- Suitable for high performance applications in luxury motoryachts, sport fishers, express cruisers etc.
- Fully works tested, reliable and simple to install
- Compatible with all types of engines and propulsion systems, including waterjets and surface-piercing propellers
- Design, manufacture and quality control standards comply with ISO 9001

#### MAIN FEATURES

- Lightweight and robust aluminum alloy casing (sea water resistant)
- Case hardened and precisely ground gear teeth for long life and smooth running
- Output shaft thrust bearing designed to take maximum propeller thrust astern and ahead
- Compact, space saving design complete with SAE 1 b.h. and oil cooler
- Smooth and reliable hydraulic shifting with control lever for attachment of push-pull cable or other operating system
- Suitable for twin engine installations (same ratio and torque capacity in ahead or astern mode)
- Emergency "get home" capability

#### OPTIONAL EXTRAS

- Engine-matched torsional coupling
- Mounting brackets for rigid connection to foundation or anti-vibration mountings
- Trolling valve for slow-speed drive
- Propeller shaft flange and coupling bolt sets
- SAE 0 bell housing
- Classification by all major Classification Societies on request
- Electric control
- Monitoring kit
- PTO (live or clutchable)
- Trailing pump