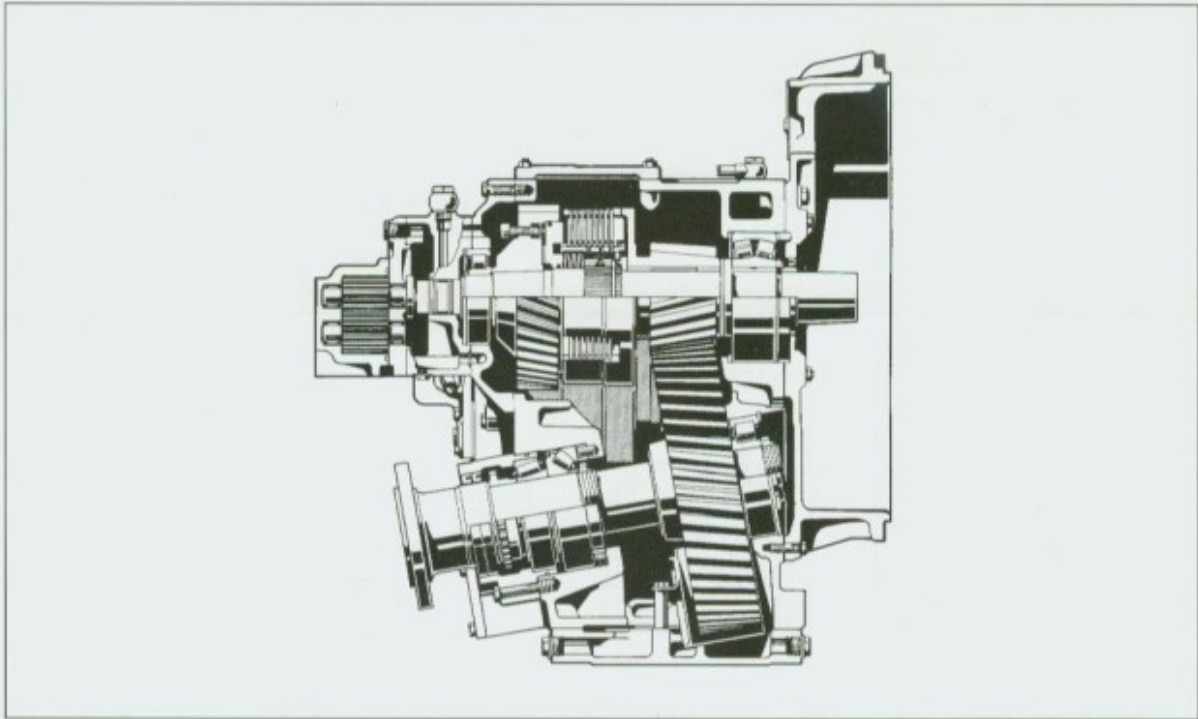


MARINE TRANSMISSION SYSTEMS

BW 165 A / BW 165 V



DESCRIPTION

- Reverse reduction marine transmission with hydraulically actuated multi-disc clutches
- Non-reversing BU version also available
- Suitable for high performance applications in luxury motoryachts, sport fishers, express cruisers etc.
- Fully works tested, reliable and simple to install
- Compatible with all types of engines and propulsion systems, including waterjets and surface-piercing propellers
- Design, manufacture and quality control standards comply with ISO 9001

MAIN FEATURES

- Lightweight and robust aluminum alloy casing (sea water resistant)
- Case hardened and precisely ground gear teeth for long life and smooth running
- Output shaft thrust bearing designed to take maximum propeller thrust astern and ahead
- Compact, space saving design due to 10° down-angle/vee-angle (down-angle with SAE 1 b.h.) with oil cooler
- Smooth and reliable hydraulic shifting with control lever for attachment of push-pull cable or other operating system
- Suitable for twin engine installations (same ratio and torque capacity in ahead or astern mode)
- Emergency "get home" capability

OPTIONAL EXTRAS

- Engine-matched torsional coupling
- Mounting brackets for rigid connection to foundation or anti-vibration mountings
- Trolling valve for slow-speed drive
- Propeller shaft flange and coupling bolt sets
- Classification by all major Classification Societies on request
- Electric control
- Monitoring kit
- PTO (live or clutchable)
- Trailing pump
- Input flange for 'A' type - option (for 'V' type - standard)