

BW 195 P1

Technical data and Installation dimensions

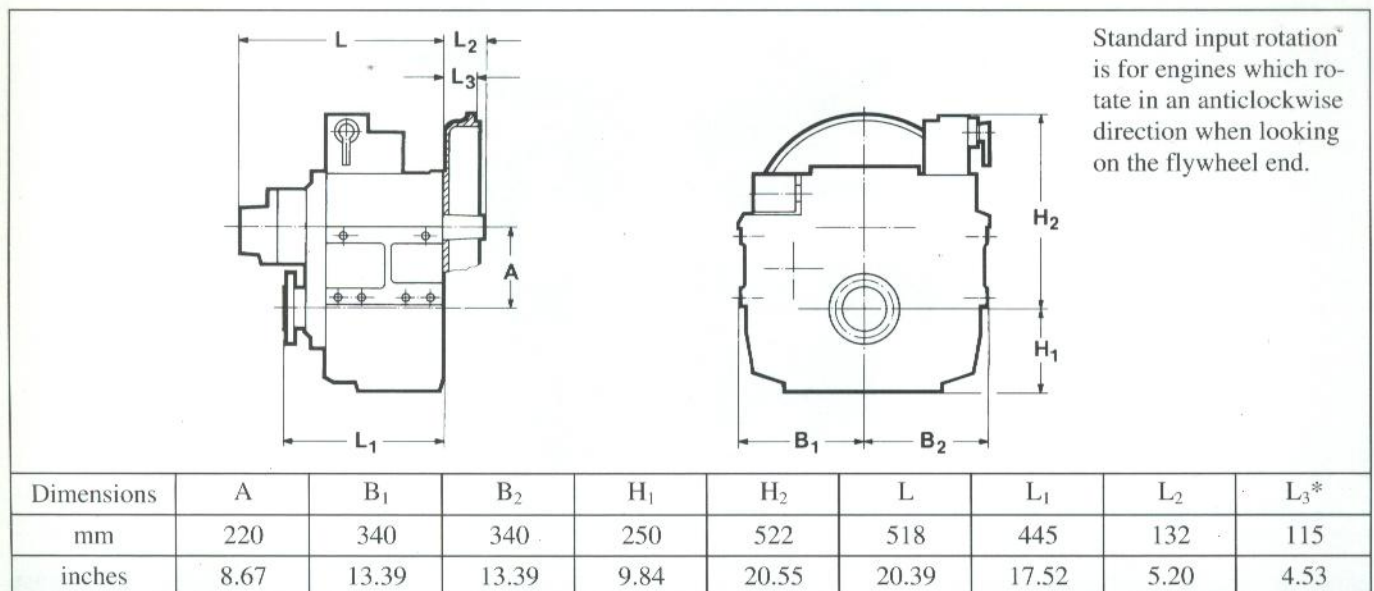
REDUCTION RATIOS	SAE HORSEPOWER (KILOWATTS)			
	CONTINUOUS	MEDIUM	LIGHT	PLEASURE
1.086, 1.255 1.524, 1.778 2.030				1900 RPM
				2300 RPM
				1334 (995) 1615 (1204)

POWER/SPEED RATIOS (KW/RPM)

1.086-2.030				0.5236
-------------	--	--	--	--------

Max./Min. engine speed limits - Diesel: 3000/500 rpm
Metric Horsepower = SAE Horsepower x 1.014

approx. dry weight*: 338 kg (745 lbs)
approx. oil capacity: 23 liter (24.4 qt)
* with SAE1 bell housing



TORSIONAL RESPONSIBILITY:

The responsibility for ensuring torsional compatibility rests with the assembler of the drive and driven equipment. ZF can accept no liability for gearbox noise caused by vibrations or for damage to the gearbox, the flexible coupling or to other parts of the drive unit caused by this kind of vibration. Contact ZF for further information and assistance. Ratings apply to marine transmissions currently in production and are subject to change without prior notice

SAFE OPERATION NOTICE:

The safe operation of ZF products depends upon adherence to technical data presented in our brochures. Safe operation also depends upon proper installation, operation and routine maintenance and inspection under prevailing conditions and recommendations set forth by ZF. Damage to transmissions caused by repeated or continuous emergency manoeuvres or abnormal operation is not covered under warranty. It is the responsibility of users and not ZF to provide and install guards and safety devices which may be required by recognized safety standards of the respective country (e.g. for U.S.A. - the Occupational Safety Act of 1970 and its subsequent provisions).

Subject to technical change without notice. For installation purposes, please request installation drawings.

ZF Friedrichshafen AG D-88038 Friedrichshafen Germany Phone (0 75 41) 77-0 Fax (0 75 41) 77-5942	ZF Padova S.p.A. Via Penghe 48 I-35 030 Caselle di Selvazzano Padova, Italy Phone (049) 82 99-311 Fax (049) 82 99-550	ZF Industries, Inc. Marine Div. 777 Hickory Hill Dr. Vernon Hills, IL 60061 U.S.A. Phone (708) 634-3500 Fax (708) 913-1039	
---	---	--	--

