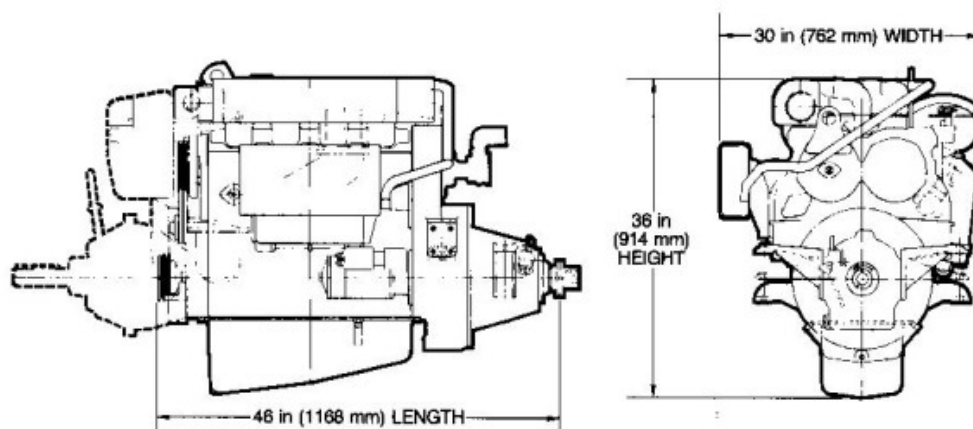


principal dimensions

Model 5042-6000



For complete dimensional information refer to installation drawing 2SA140 for Model 5042-4000, and 2SA246 for Model 5042-6000.

standard equipment

Air Inlet Housing

Alternator—Battery charging, 12 volt, 42 amp

Crankshaft Pulley

Engine Mounts—Includes mounts for engine and marine gear

Exhaust Manifold—Water-cooled

Flywheel Housing—SAE #4

Fuel Filters

Governor—Variable speed

Lube Oil Cooler

Lube Oil Filter—Full-flow filter

Marine Gear—Warner hydraulic reverse and direct drive gear: 1 to 1 ratio

Oil Pan and Distribution System—For 0-17 degree inclination angle

Starting Motor—12 volt

For complete listing of standard and optional equipment, consult your authorized Detroit Diesel Allison Representative.

Specifications subject to change without notice.



Detroit Diesel Allison
Division of General Motors Corporation

13400 West Outer Drive Detroit, Michigan 48228