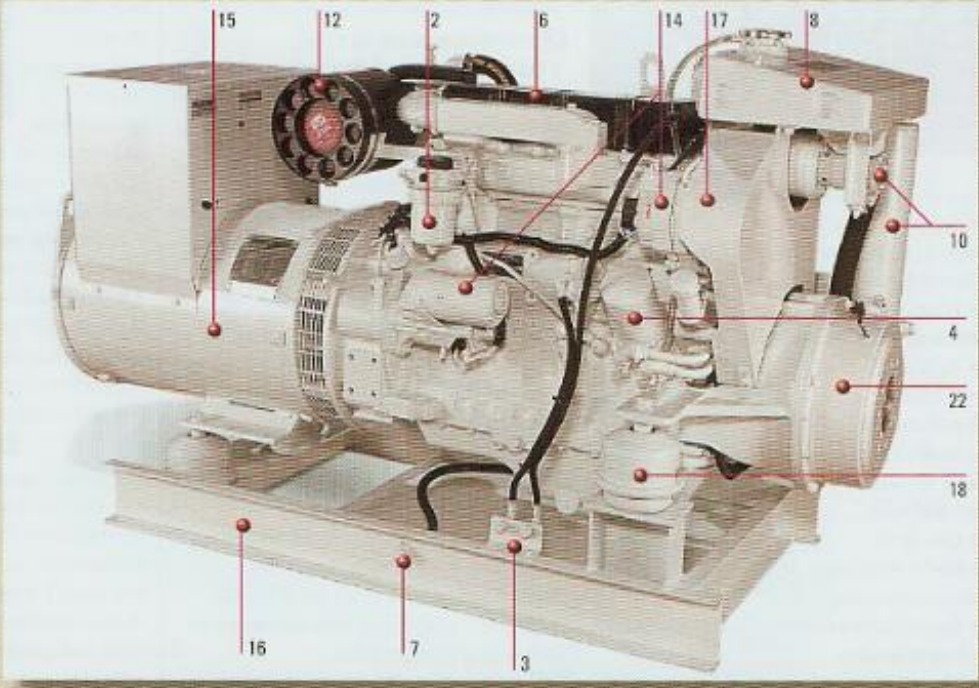


M439 Series, 22-55 kW

M439 Series

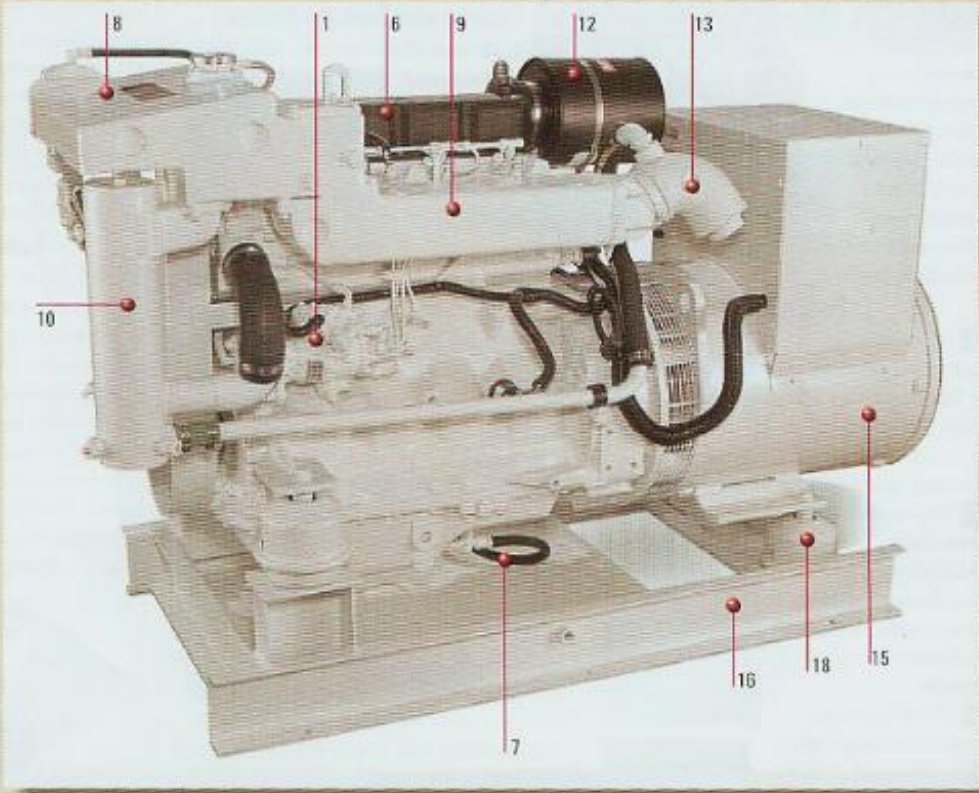
M439T, 55 kW at 1800 RPM, shown with heat exchanger cooling (10), optional hydrostatic mounts (18) and front power take-off with electric clutch (22).



M445 Series, 30-65 kW

M445 Series

M445D, 45 kW at 1800 RPM, shown with heat exchanger cooling (10), optional hydrostatic mounts (18) and wet exhaust elbow (13).



See pages 4 and 6 for numbered feature descriptions.